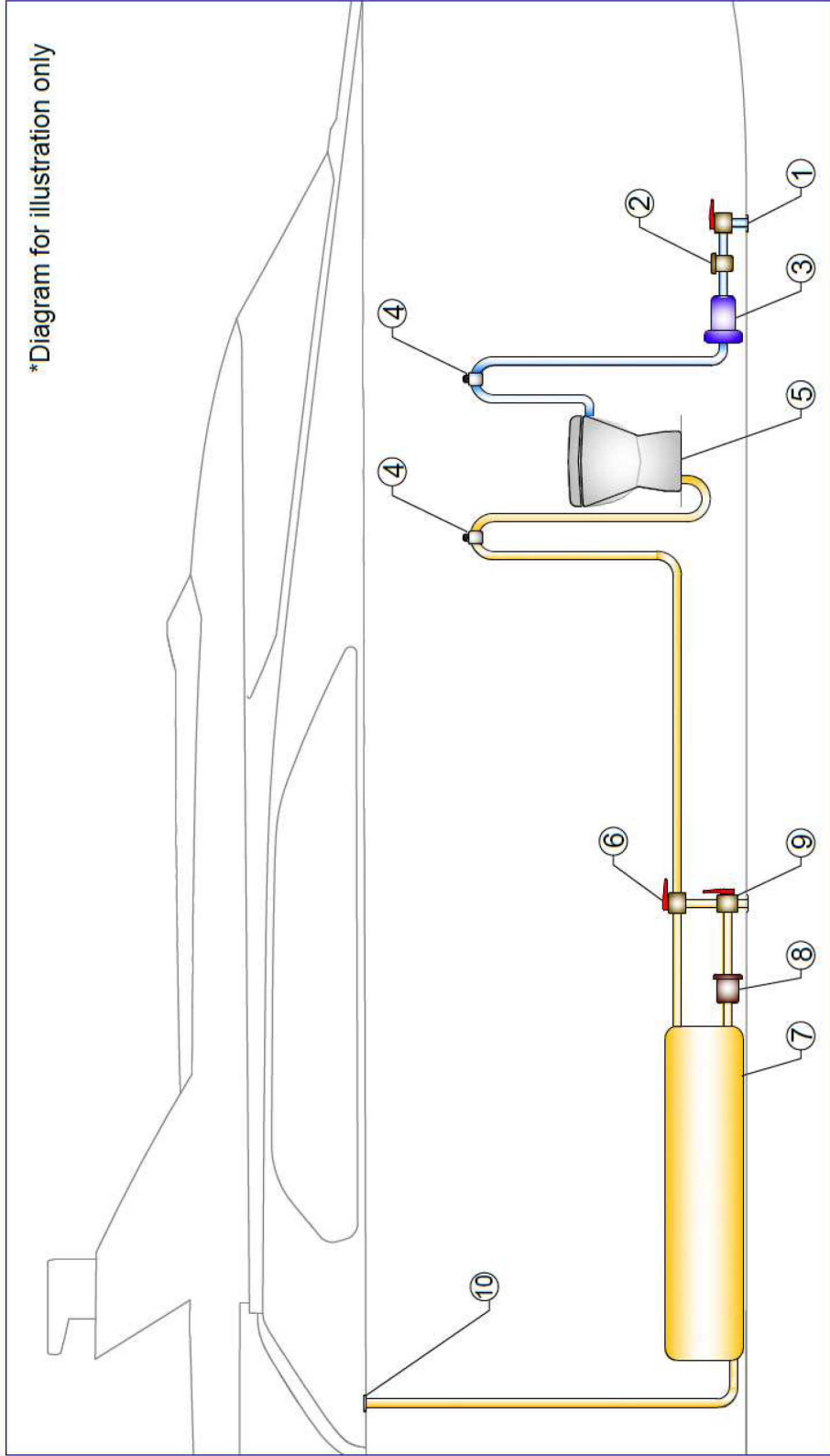


HYDRO VACUUM TOILET INSTALLATION

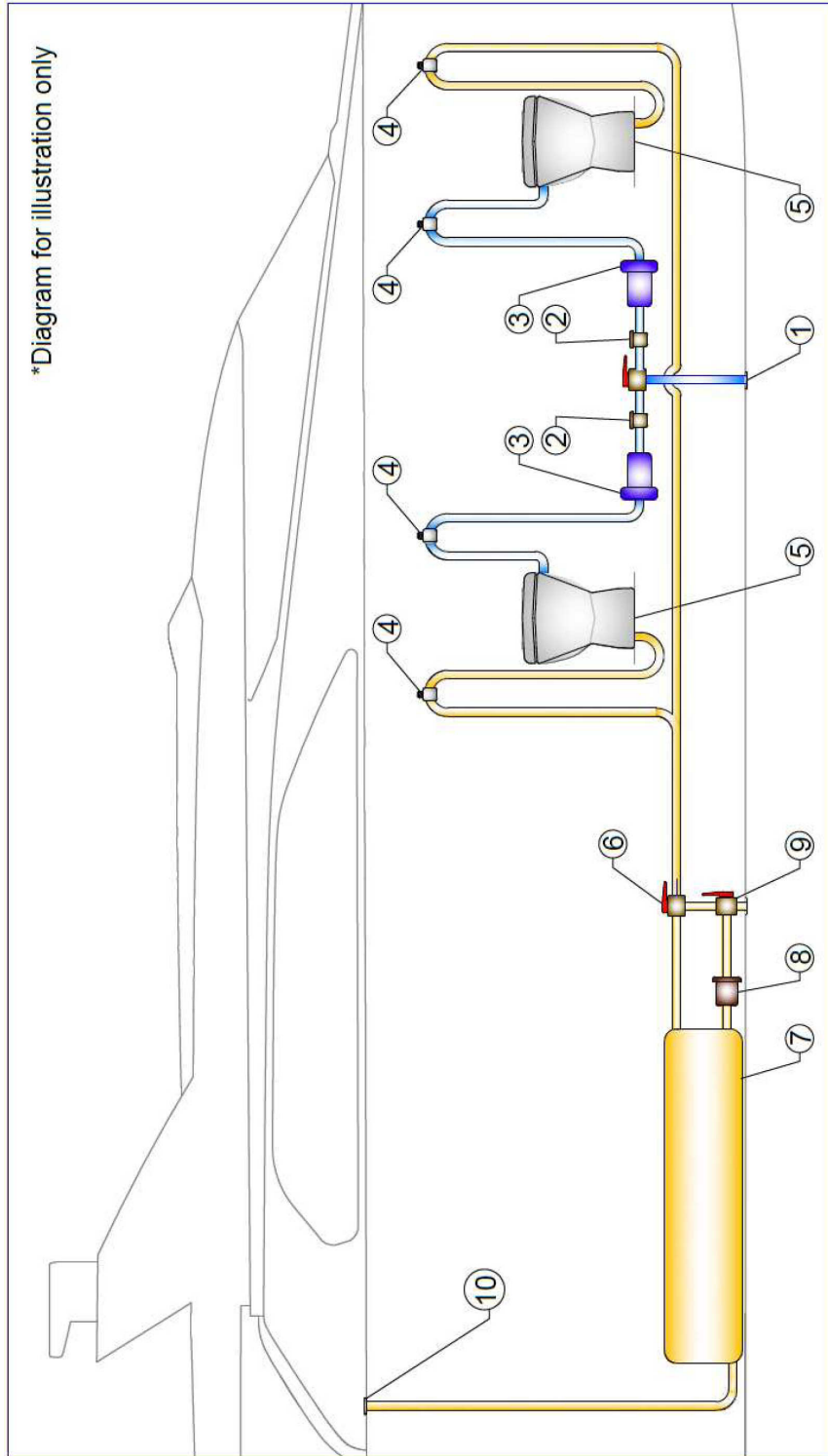
8.1 SINGLE SYSTEM / IMPIANTO SINGOLO



1	RAW WATER INTAKE – ball valve seacock	6	Y SELECTION VALVE
2	RAW WATER STRAINER	7	HOLDING TANK with
3	RAW WATER PUMP	8	HOLDING TANK DISCHARGE PUMP
4	VENTILATION VALVE – siphon break	9	BLACK WATER OUTLET - HULL
5	MACERATOR TOILET	10	BLACK WATER OUTLET - DECK

HYDRO VACUUM TOILET INSTALLATION

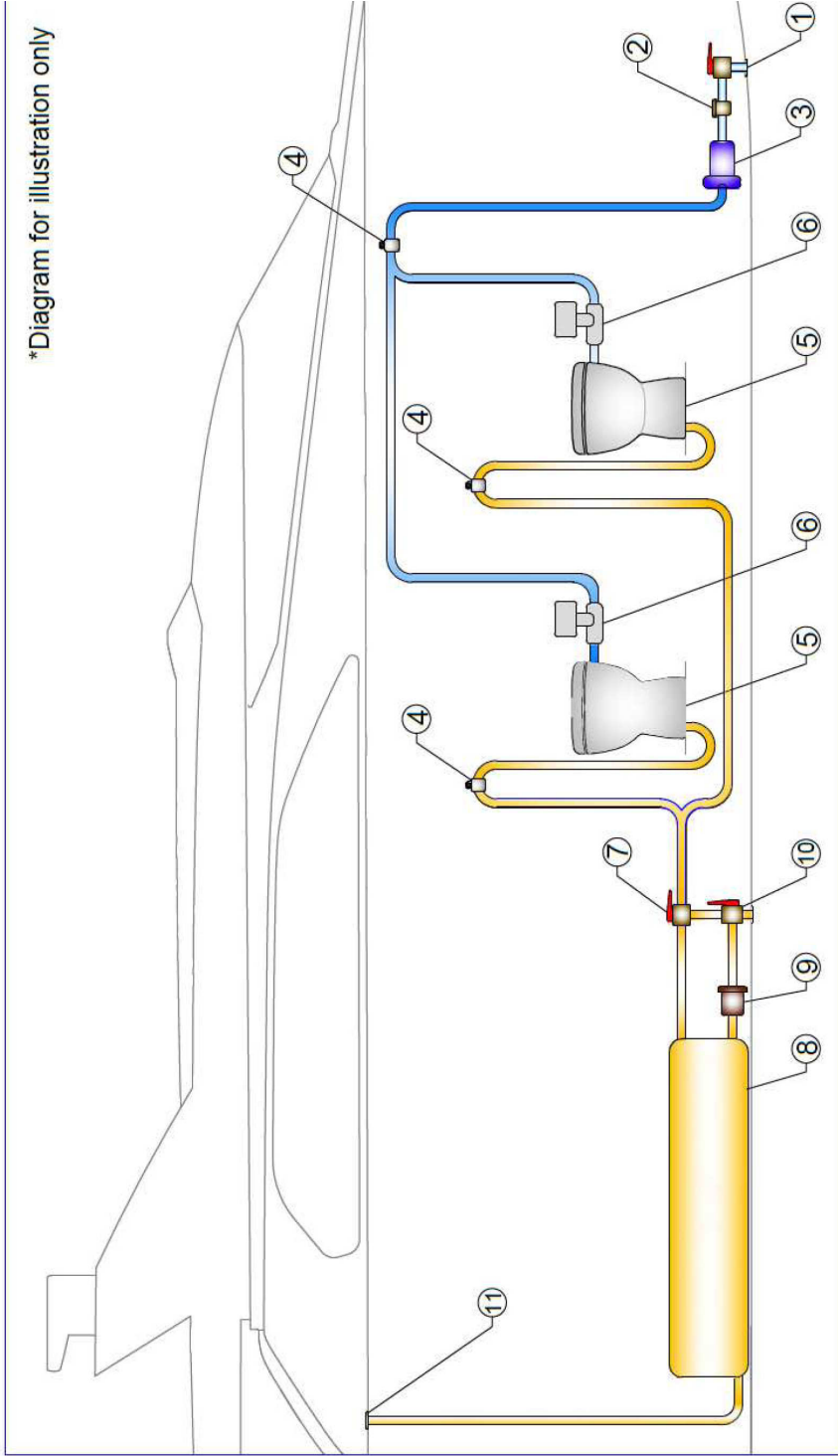
8.2 MULTIPLE SINGLE SYSTEM / IMPIANTO SINGOLO MULTIPLO



1	RAW WATER INTAKE – ball valve seacock	6	Y SELECTION VALVE
2	RAW WATER STRAINER	7	HOLDING TANK with
3	A RAW WATER PUMP	8	HOLDING TANK DISCHARGE PUMP
4	VENTILATION VALVE – siphon break	9	BLACK WATER OUTLET - HULL
5	MACERATOR TOILET	10	BLACK WATER OUTLET - DECK

HYDRO VACUUM TOILETS INSTALLATION

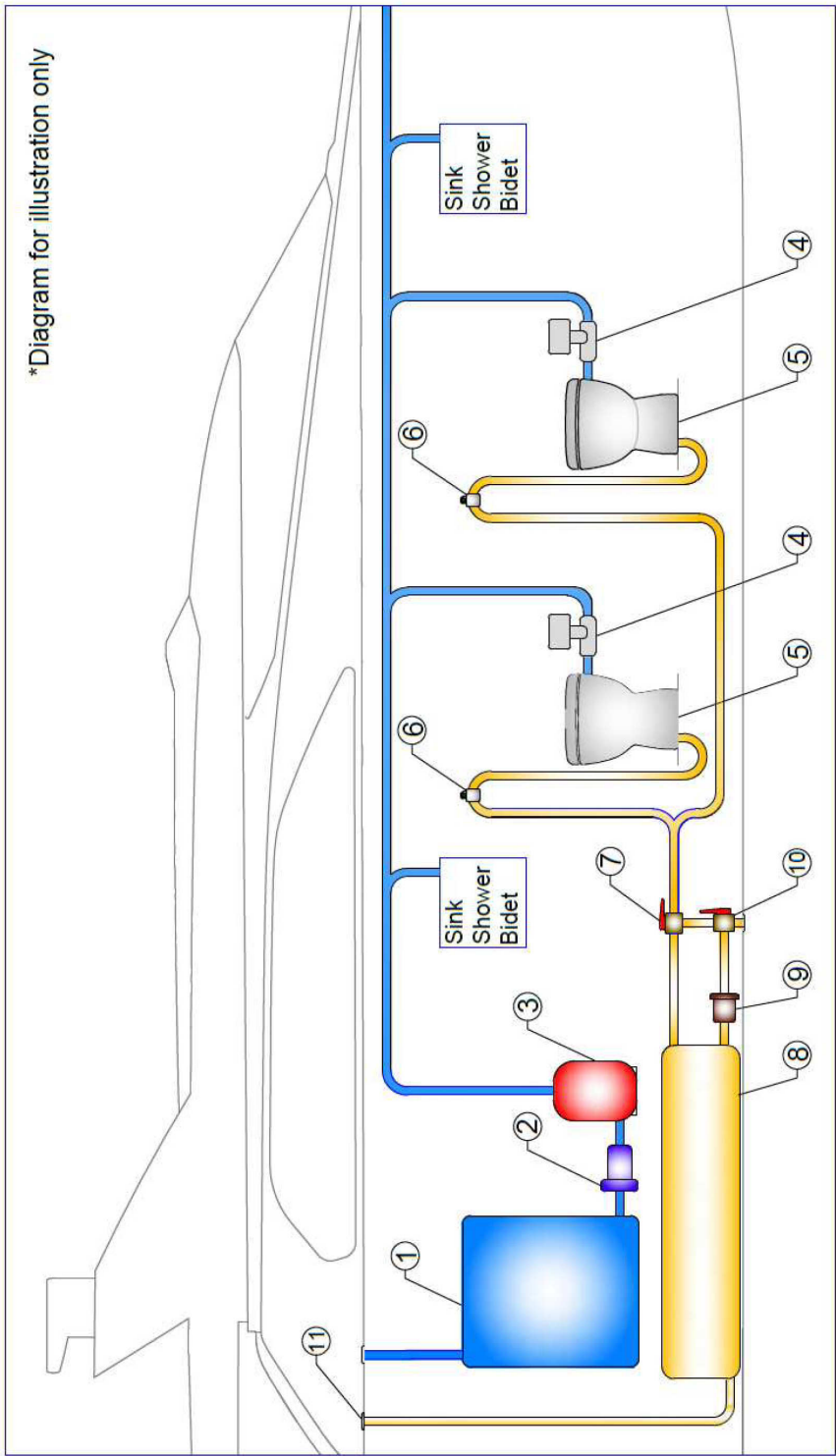
*Diagram for illustration only



1	RAW WATER INTAKE – ball valve seacock	6	SOLENOID
2	RAW WATER STRAINER	7	Y SELECTION VALVE
3	RAW WATER PUMP	8	HOLDING TANK
4	VENTILATION VALVE – siphon break	9	HOLDING TANK DISCHARGE PUMP
5	MACERATOR TOILET	10	BLACK WATER OUTLET - HULL
		11	BLACK WATER OUTLET - DECK

8.6 CENTRALIZED FRESH WATER SYSTEM / IMPIANTO CENTRALIZZATO ACQUA DOLCE

HYDRO VACUUM TOILET INSTALLATION



1	FRESH WATER TANK	6	VENTILATION VALVE
2	FRESH WATER PUMP	7	Y SELECTION VALVE
3	ACCUMULATOR	8	HOLDING TANK with sensor
4	SOLENOID	9	HOLDING TANK DISCHARGE PUMP
5	MACERATOR TOILET	10	BLACK WATER OUTLET - HULL
		11	BLACK WATER OUTLET - DECK