

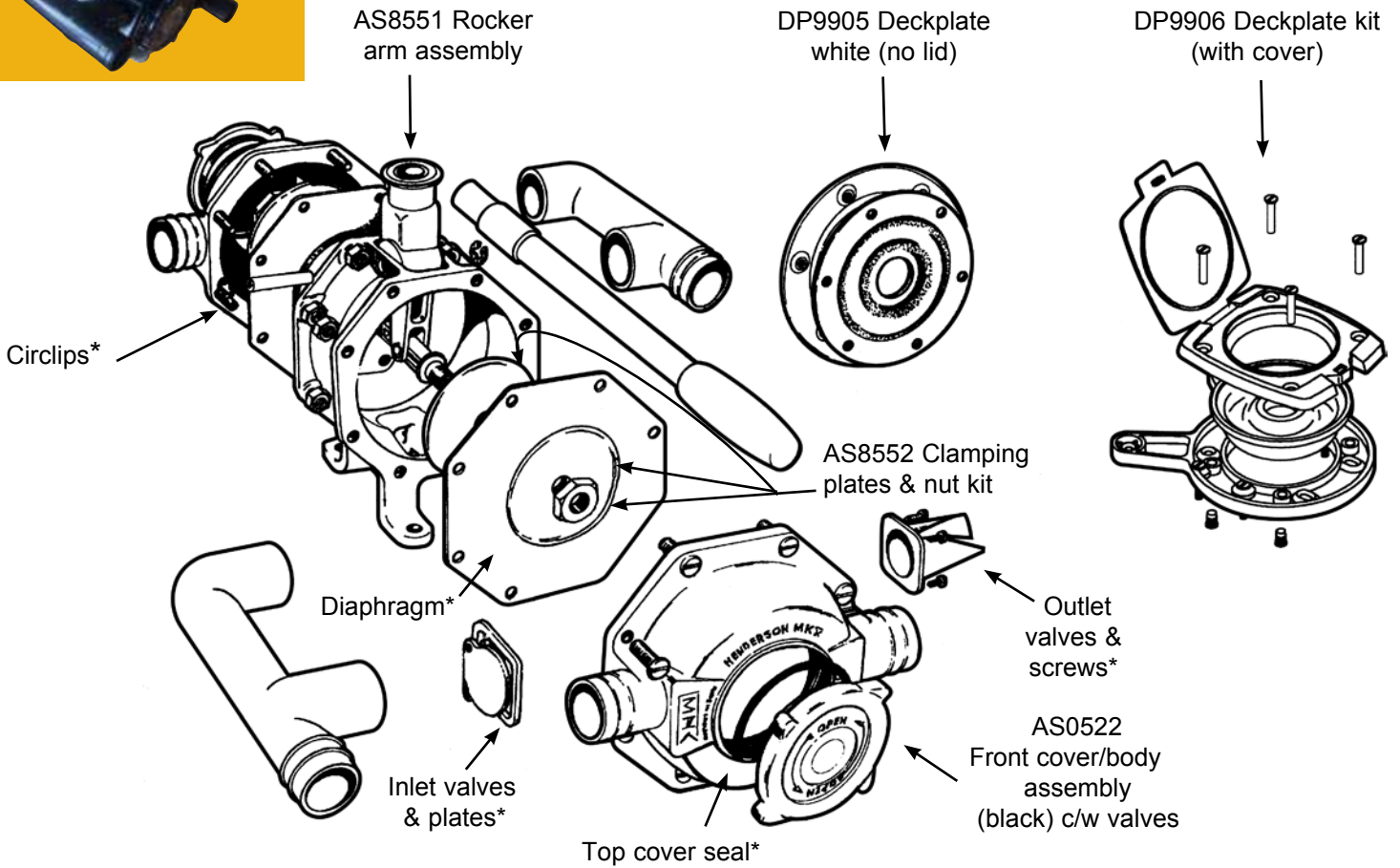


# Manual Bilge Pumps

## Mk 5 Double Action Pump

**Bulkhead: MH550, Underdeck: MH5560, On Deck: MH5570**

**Note\*** Contained in Service Kit AK8060



### Accessories

#### DP9905 Deckplate White (no lid)

Qty	Containing
1	Deckring white
1	Deckseal (with 6 holes)
4	Screws
4	Nuts
4	Screws M6x40
2	Screws M6x40 CH

#### DP9906 Deckplate Kit (includes cover)

- YP6114 1 1/2" Y Piece
- EB3488 1 1/2" Elbow
- LV1215 1" / 1 1/2" Non Return Valve
- SF5425 1 1/2" Skin Fitting

### Service Kits

#### AK8060 Service Kit with Complete Set of Serviceable Parts for Mk V Double Acting

Qty	Containing
2	Inlet valve plate
2	Inlet valve
4	Valve screw short
2	Top cover seal
2	Diaphragm
2	Outlet valve
4	Valve screw long
2	Circlip large
4	Circlip small



AK8060



AS0522



# Manual Bilge Pumps

## Mk 5 Double Action Pump

**Bulkhead: MH550, Underdeck: MH5560, On Deck: MH5570**



AS8552



AS8551



DP9905



DP9906



EB3488



LV1215



SF5425



YP6114

### Service Kits (Continued)

#### AS0522 Front Cover/ Body Assembly (black) c/w Valves

Qty	Containing
1	Top cover
1	Front cover/body (black)
1	Inlet valve plate
1	Inlet valve
2	Valve screw short
1	Top cover seal
8	Assembly screw
1	Outlet valve
2	Valve screw long

#### AS8551 Rocket Arm Assembly

Qty	Containing
2	Pivot bush
1	Pivot arm
1	Rocker arm
1	Fulcrum sleeve
1	Fulcrum bush
2	Nut diaphragm
1	Hinge pin
1	Bolt M6x50
1	Nut nyloc M6
1	Fork insert
2	Circlip (large)
2	Circlip (small)

#### AS8552 Clamping Plates & Nut Kit

Qty	Containing
4	Clamping plates (alloy)
2	Rocker arm nuts