

8

7

6

5

4

3

2

1

F

E

D

C

B

A

F

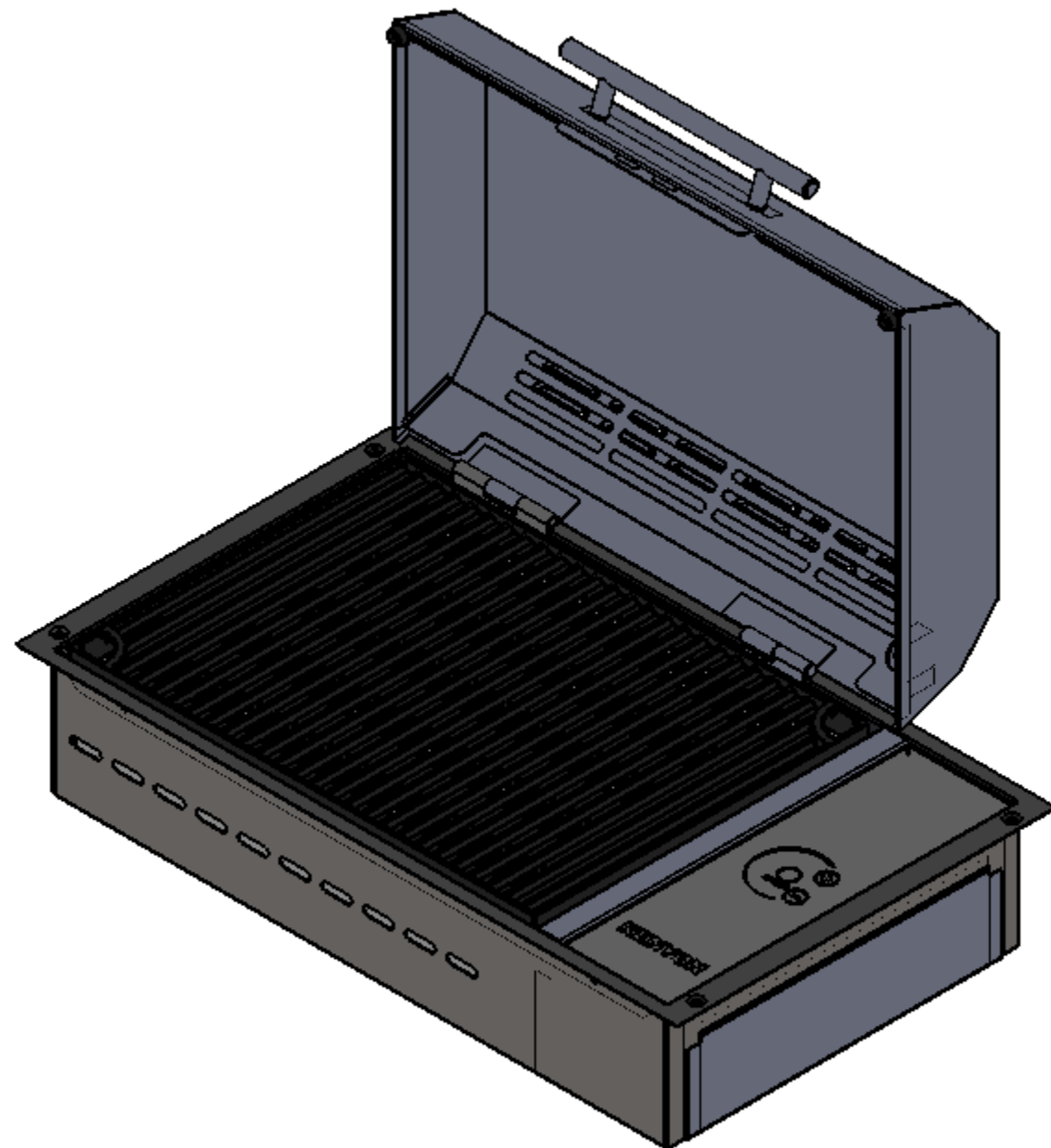
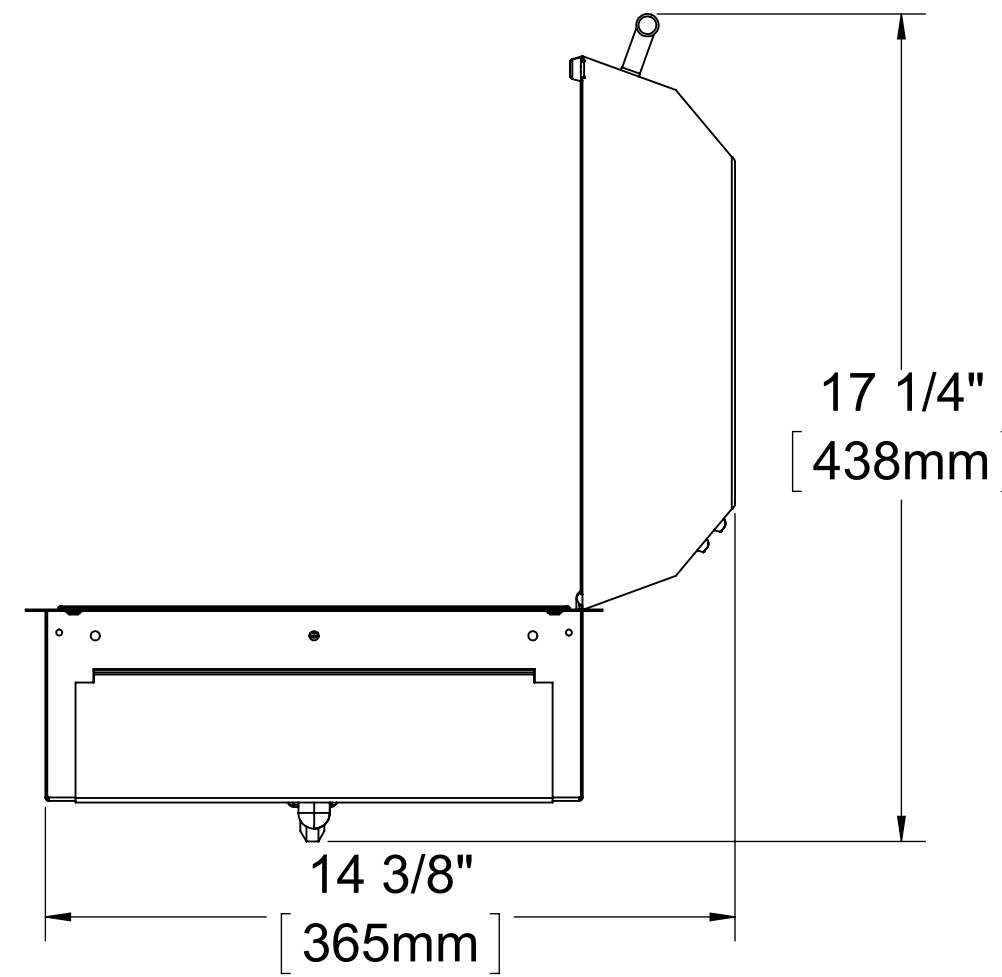
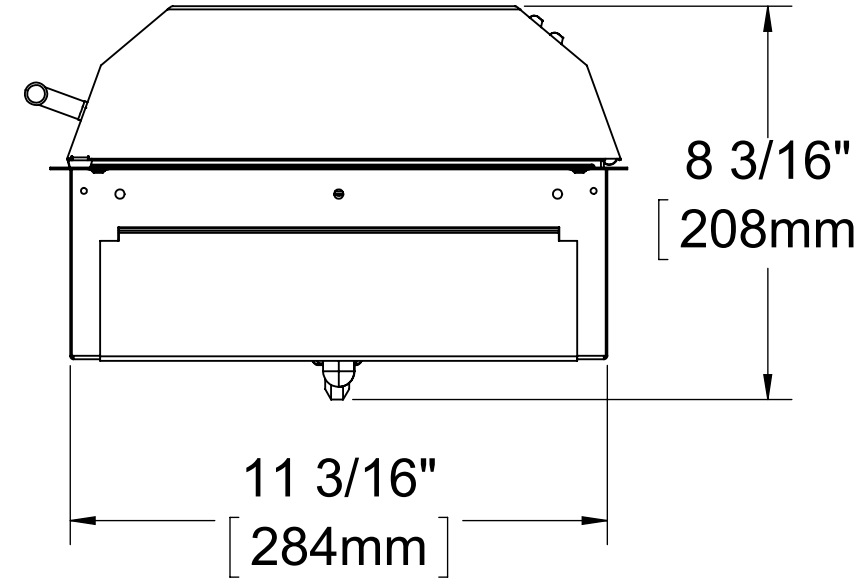
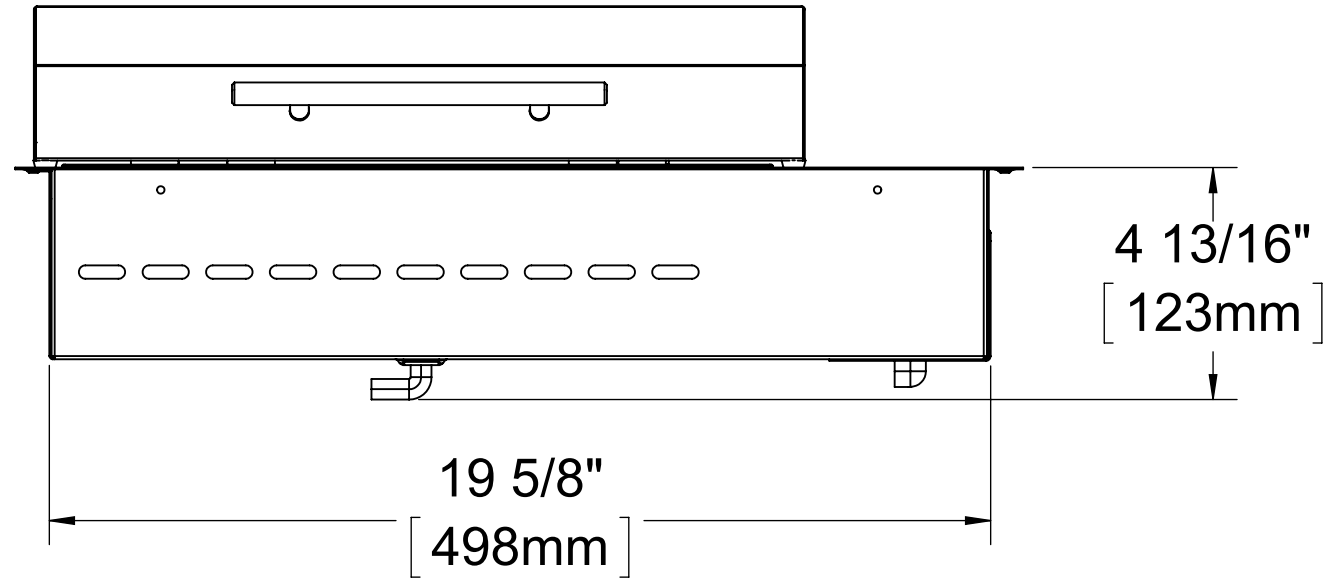
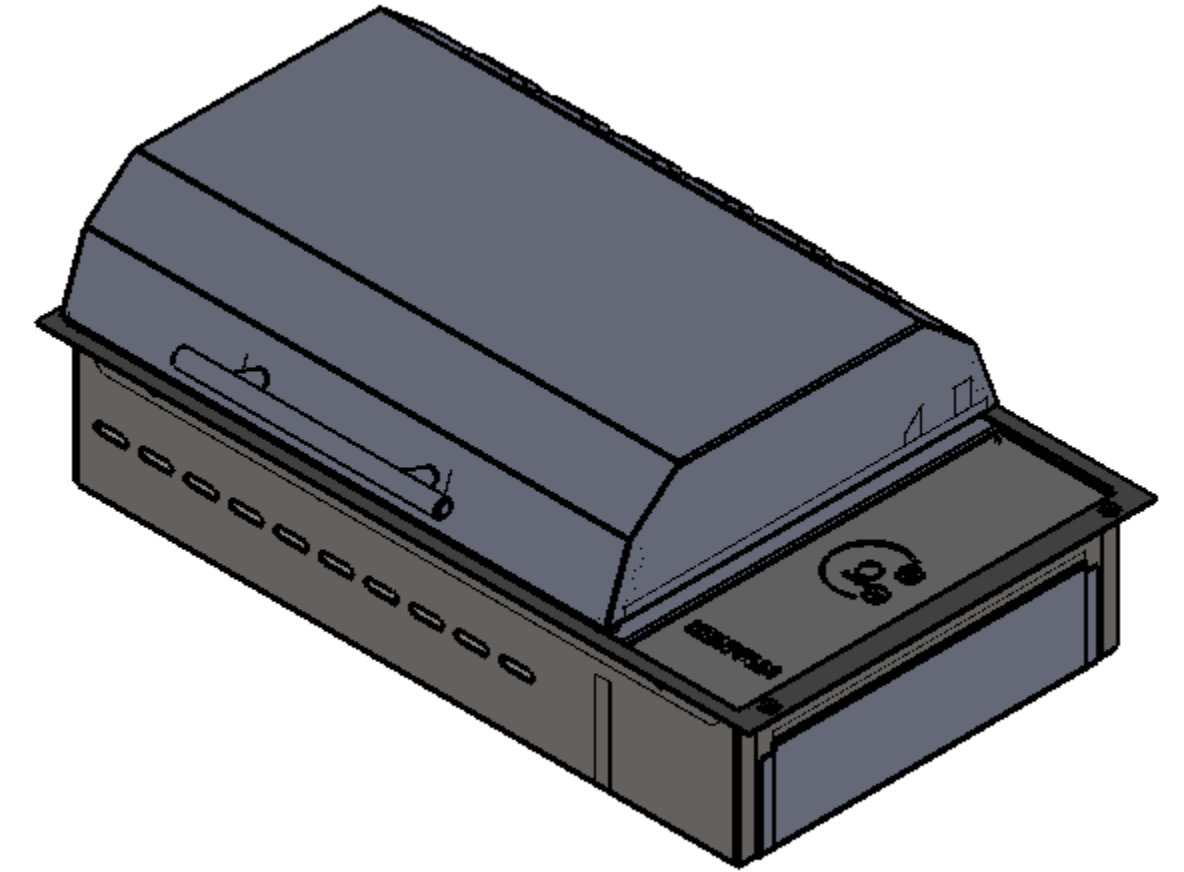
E

D

C

B

A



PROPRIETARY AND CONFIDENTIAL
 THE INFORMATION CONTAINED IN THIS DRAWING IS THE SOLE PROPERTY OF KENYON INTERNATIONAL. ANY REPRODUCTION IN PART OR AS A WHOLE WITHOUT THE WRITTEN PERMISSION OF KENYON INTERNATIONAL IS PROHIBITED.

UNLESS OTHERWISE SPECIFIED:		NAME	DATE	KENYON INTERNATIONAL 8 HERITAGE PARK - PO BOX 925 CLINTON, CT 06413	
DIMENSIONS ARE IN INCHES		DRAWN	GSP	4/26/18	TITLE: 120V ELECTRIC GRILL FRONTIER LID, GFCI
TOLERANCES:		CHECKED			
ANGULAR: MACH ± 0.50°		ENG APPR.			
BEND ± 1.00°		MFG APPR.			
TWO PLACE DECIMAL ± .010"		Q.A.			SIZE DWG. NO. REV C B70050
THREE PLACE DECIMAL ± .005"		COMMENTS:			
INTERPRET GEOMETRIC TOLERANCING PER ANS/ASME Y14.5M-2009					SCALE: 1:8 WEIGHT: SHEET 1 OF 2
MATERIAL	FINISH				
NEXT ASSY	USED ON				
APPLICATION		DO NOT SCALE DRAWING			

8

7

6

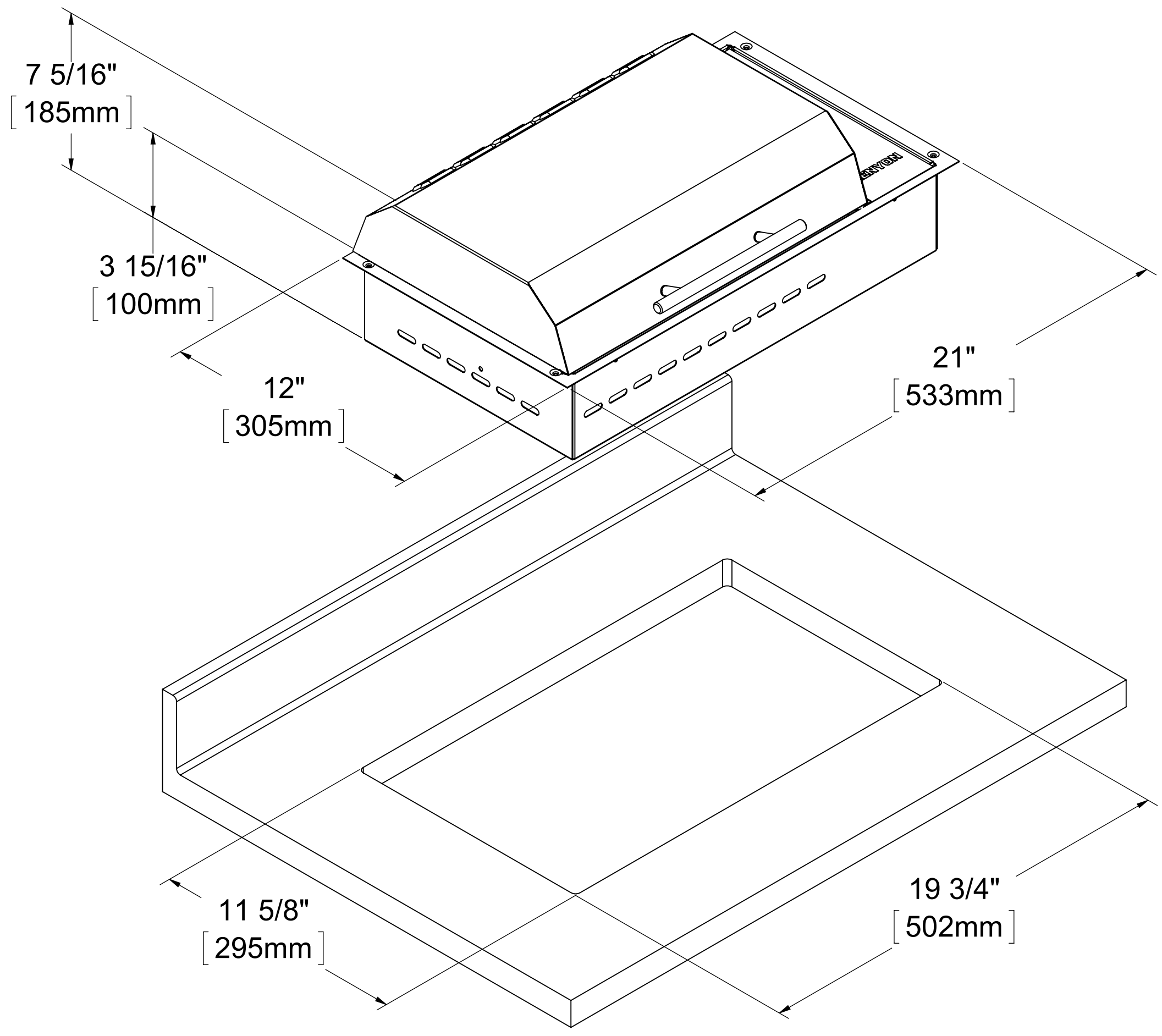
5

4

3

2

1



PROPRIETARY AND CONFIDENTIAL
 THE INFORMATION CONTAINED IN THIS DRAWING IS THE SOLE PROPERTY OF KENYON INTERNATIONAL. ANY REPRODUCTION IN PART OR AS A WHOLE WITHOUT THE WRITTEN PERMISSION OF KENYON INTERNATIONAL IS PROHIBITED.

UNLESS OTHERWISE SPECIFIED:		NAME	DATE
DIMENSIONS ARE IN INCHES		DRAWN	
TOLERANCES:		CHECKED	
ANGULAR: MACH ± 0.50°		ENG APPR.	
BEND ± 1.00°		MFG APPR.	
TWO PLACE DECIMAL ± .010"		Q.A.	
THREE PLACE DECIMAL ± .005"		COMMENTS:	
INTERPRET GEOMETRIC TOLERANCING PER ANSI/ASME Y14.5M-2009			
MATERIAL			
FINISH			
NEXT ASSY	USED ON		
APPLICATION			
DO NOT SCALE DRAWING			

KENYON INTERNATIONAL 8 HERITAGE PARK - PO BOX 925 CLINTON, CT 06413		
TITLE: 120V ELECTRIC GRILL FRONTIER LID, GFCI		
SIZE	DWG. NO.	REV
C	B70050	
SCALE: 1:8	WEIGHT:	SHEET 2 OF 2