

MEGA LIVE IMAGING TARGETLOCK INSTALLATION GUIDE

532889-3EN_A



 **HUMMINBIRD**®

Accessory Manual

Thank You!

Thank you for choosing Humminbird®, the #1 name in marine electronics. Humminbird has built its reputation by designing and manufacturing top-quality, thoroughly reliable marine equipment. Your Humminbird accessory is designed for trouble-free use in even the harshest marine environment. In the unlikely event that your Humminbird does require repairs, we offer an exclusive Service Policy. For complete details, see the separate warranty card included with your unit. We encourage you to read this manual carefully in order to get the full benefit from all the features and applications of your Humminbird product.

Contact Humminbird Technical Support through our Help Center at <https://humminbird-help.johnsonoutdoors.com/hc/en-us>.



WARNING! This device should not be used as a navigational aid to prevent collision, grounding, boat damage, or personal injury. When the boat is moving, water depth may change too quickly to allow time for you to react. Always operate the boat at very slow speeds if you suspect shallow water or submerged objects.



WARNING! The electronic chart in your Humminbird unit is an aid to navigation designed to facilitate the use of authorized government charts, not to replace them. Only official government charts and notices to mariners contain all of the current information needed for the safety of navigation, and the captain is responsible for their prudent use.



WARNING! Humminbird is not responsible for the loss of data files (waypoints, routes, tracks, groups, recordings, etc.) that may occur due to direct or indirect damage to the unit's hardware or software. It is important to back up your control head's data files periodically. See your control head operations manual for details.



WARNING! Disassembly and repair of this electronic unit should only be performed by authorized service personnel. Any modification of the serial number or attempt to repair the original equipment or accessories by unauthorized individuals will void the warranty.



NOTE: Some features discussed in this manual require a separate purchase. Every effort has been made to clearly identify those features. Please read the manual carefully in order to understand the full capabilities of your model.



NOTE: The illustrations in this manual may not look the same as your product, but your unit will function in a similar way.



NOTE: To purchase accessories for your control heads, visit our Web site at humminbird.com or Contact Humminbird Technical Support through our Help Center at <https://humminbird-help.johnsonoutdoors.com/hc/en-us>.



NOTE: The procedures and features described in this manual are subject to change without notice. This manual was written in English and may have been translated to another language. Humminbird is not responsible for incorrect translations or discrepancies between documents.



NOTE: Product specifications and features are subject to change without notice.



NOTE: Humminbird verifies maximum stated depth in saltwater conditions, however actual depth performance may vary due to transducer installation, water type, thermal layers, bottom composition, and slope.

WARNING

THIS PRODUCT CONTAINS A BUTTON BATTERY.

If swallowed, a lithium button battery can cause severe or fatal injuries within 2 hours. Keep batteries out of reach of children. If you think batteries may have been swallowed or placed inside any part of the body, seek immediate medical attention.

APEX™, HELIX®, Humminbird®, MEGA 360 Imaging™, MEGA Live Imaging™, Minn Kota®, SOLIX®, TargetLock™, Ultrex™ are trademarked by or registered trademarks of Johnson Outdoors Marine Electronics, Inc.

Table of Contents

Introduction	1
Compatibility.....	1
Supplies.....	2
Update Software	3
Check the Current Software Version	3
Update Control Head Software with an SD Card.....	4
Update Accessory Software with an SD Card	5
Update Software with FishSmart.....	6
Install the MEGA Live Imaging TargetLock	7
1. View the Installation Video.....	8
2. Prepare for Installation	8
3. Install the Mounting Plate	9
A. MEGA Live Mounting Plate.....	10
B. MEGA Live Dual Mounting Plate (<i>for use with MEGA 360</i>)	11
4. Install the Control Box.....	12
5. Install the Landscape Mode Mount	13
6. Test the MEGA Live Views.....	17
7. Connect the Shaft Assembly to the Mounting Plate	19
8. Install the MEGA Live TargetLock Heading Sensor.....	20
9. Adjust the Transducer Height.....	22
10. Reinstall the Motor Stabilizer.....	23
Install the MEGA Live Imaging TargetLock Foot Pedal	24
Install a MEGA 360 (separate purchase)	26
1. Prepare for Installation	26
2. Assemble the MEGA 360 Mount	27
3. Install the Pod.....	29
4. Adjust the Pod Height.....	30
5. Install the Collar Clamp	32

Table of Contents

Route the Cables and Connect Power	34
1. Route the MEGA Live Power, Ethernet and Heading Sensor Cables	34
2. Route the MEGA Live Control Box Cables.....	36
3. Route the MEGA 360 Cables (<i>separate purchase</i>)	40
4. Connect Power.....	41
Set Up the Control Head	43
1. Confirm Connections	43
2. Set Up MEGA Live Imaging on the Control Head.....	46
3. Test MEGA Live Imaging on the Control Head.....	47
4. Pair the TargetLock Heading Sensor to the Control Head.....	52
5. Pair the Foot Pedal to the Control Head.....	53
6. Calibrate Your MEGA Live Imaging TargetLock	55
7. Confirm the Humminbird GPS Heading Sensor Operation (<i>optional</i>).....	56
8. Confirm the Baud Rate (<i>for devices connected to sensor pigtail only</i>)	59
9. Set Up the Network	59
Power Off	60
Maintenance	61
Control Head Maintenance.....	61
Transducer Maintenance	62
MEGA Live Imaging Maintenance.....	62
Troubleshooting	63
“Out of the Water” Error Displays when MEGA Live is in the Water.....	63
Fishing System Doesn’t Power Up	64
Fishing System Defaults to Simulator with a Transducer Attached	64
Finding the Cause of Noise	65
Specifications	66
Contact Humminbird	69

Introduction

This manual will guide you through the following installation requirements for the MEGA Live Imaging TargetLock transducer:

- Installing the Transducer and Foot Pedal
- Connecting to the Control Head and Power
- Testing the Installation
- Powering Off

Before proceeding with this installation, the Humminbird control head and Minn Kota® Ultrex trolling motor should be installed. The MEGA Live Imaging transducer can be connected directly to the control head or to a Humminbird Ethernet Switch (optional, separate purchase required) for networking. See the Ethernet Switch installation instructions to install the Ethernet Switch.

Compatibility

Control Heads: MEGA Live Imaging TargetLock is compatible with all APEX™ Series and SOLIX® Series fish finders, HELIX® Series G3N and G4N fish finders equipped with MEGA Imaging+, and HELIX 7 G4N fish finders with MEGA Down Imaging or MEGA Side Imaging. It can be mounted on Minn Kota Ultrex trolling motors.

Minn Kota Trolling Motor	Humminbird Fish Finder
Minn Kota Ultrex	APEX Series: All models SOLIX Series: All models HELIX Series: HELIX G3N and G4N models with MEGA Imaging+ and HELIX 7 G4N models with MDI or MSI

Cables: Your MEGA Live Imaging transducer comes with the cables required to connect directly to your APEX or SOLIX fish finder. In addition to the cables permanently attached to the transducer, this includes two extension cables (a 10' MEGA Live power cable and a 20' Ethernet cable) to allow for quick-disconnect. To connect the Ethernet to a HELIX control head, you will need to purchase an ethernet adapter cable.



NOTE: An ethernet switch (separate purchase required) can be used to connect your MEGA Live Imaging transducer to multiple control heads. To purchase accessories for your control heads, visit our Web site at humminbird.com or contact Humminbird Technical Support through our Help Center at <https://humminbird-help.johnsonoutdoors.com/hc/en-us>.

Accessories: Additional recommended accessories include a Humminbird Heading Sensor GPS Puck (and a Heading Sensor GPS Adapter cable for APEX and SOLIX only), or a Minn Kota Heading Sensor connected to an i-Pilot Link trolling motor.

A dual mount plate (separate purchase), is required to use a MEGA 360 Imaging™ transducer with your MEGA Live Imaging TargetLock.

For the most current list of compatible accessories, visit our Web site at humminbird.com.

Supplies

In addition to the hardware included with your accessory, you will need the following supplies:

- 5A slow-blow fuse
- Philips head screwdriver
- 3/8 wrench or socket
- 1/2 wrench or socket
- Cable ties
- Minn Kota trolling motor Stabilizer Kit (included with each Minn Kota Ultrex trolling motor or available as a separately purchased accessory)
- 1 Amp fuse (needed for MEGA 360 installation only)
- Allen wrench (needed for MEGA 360 installation only)

Switch (optional): If you do not have a main switch or fuse panel available on your boat to connect power, you will need to purchase a battery switch. See ***Route the Cables and Connect Power, Section 3: Connect Power*** for more information.

Update Software

Your control head model may need a software update to work with the MEGA Live Imaging transducer. We recommend that you read the following section completely before starting any software updates.



NOTE: It is important to install the latest software update on your control head to enable all MEGA Live Imaging TargetLock features. For the latest software updates, visit our Web site at humminbird.com.

Check the Current Software Version

It is helpful to review the software version number that is currently installed on the control head and each accessory.

APEX/SOLIX Series

1. Press the HOME key.
2. Select Settings.
3. Select Network > Network Info.
4. The Network Info dialog box shows a section for each device connected to the network. Scroll to each section to note the software version number listed.

HELIX Series

1. Press and hold the VIEW key.
2. Select System > System Status.
3. Confirm the Software Version listed.

Update Control Head Software with an SD Card

You will need an SD or microSD card (depending on your control head model).



WARNING! Humminbird is not responsible for the loss of data files (waypoints, routes, tracks, groups, snapshots, recordings, etc.) that may occur due to direct or indirect damage to the unit's hardware or software. It is important to back up your control head data files periodically. See your control head operations manual for more information.

1. Before the control head software is updated or restored to system defaults, export your navigation data and copy your screen snapshots to an SD or microSD card. See your control head operations manual for instructions.
2. Install a formatted SD or microSD card into the computer card slot.
3. Go to **humminbird.com**, and click Support > Software Updates.
4. Click on your control head model. The available software updates are listed as downloads under each product. Confirm the file name is for your control head model.
 - Read the notices and instructions, and select Download.
 - Follow the on-screen prompts to save the software file to the SD or microSD card.
5. Repeat step 4 to download the software updates posted to each product.
6. Insert the SD or microSD card (with the software file) into the control head card slot.
7. Power on your Humminbird control head. Start **Normal** mode.
8. Follow the on-screen prompts to update the control head software.
9. When the software update is complete, remove the SD or microSD card from the control head card slot.
10. **Restart:** If you don't have any other software updates to install, power off the control head, and restart it.

Update Accessory Software with an SD Card

You will need an SD or microSD card (depending on your control head model).

1. Install a formatted SD or microSD card into the computer card slot.
2. Go to **humminbird.com**, and click Support > Software Updates.
3. Scroll down to Accessories and Mapping. The available software updates are listed as downloads under each accessory product. Confirm your control head model is listed in the software description.
 - Read the notices and instructions, and select Download.
 - Follow the on-screen prompts to save the software file to the SD or microSD card.
4. Insert the SD or microSD card (with the software file) into the control head card slot.
5. Power on your Humminbird control head. Start **Normal** mode.
6. **APEX/SOLIX:** Select the Files tool. From the Software Update tab, scroll to MEGA Live on the Accessories list. Confirm that the most current software version is selected from the list, and select Install Now.
HELIX: The software will be automatically detected. It may take up to two minutes for the software to be detected on the network, and the control head will display a dialog box to indicate that the update is in progress.
7. When the software update is complete, remove the SD or microSD card from the control head card slot.
8. **Restart:** If you don't have any other software updates to install, power off the control head, and restart it.

Update Software with FishSmart

You can use the FishSmart App to download and push software updates directly to your Humminbird control head or accessory.



NOTE: It is important to install the latest software update on your control head to enable all FishSmart features. For the latest software update, visit our Web site at humminbird.com.



NOTE: You must first download the FishSmart App and pair your mobile device to your control head. See the *FishSmart User Manual* for more information.

1. Open the FishSmart App on your mobile device.
2. **Apple iOS:** Tap the System menu icon.
Google Android: Tap the FishSmart main menu. Select system.
3. Tap Update next to the selected unit. The download progress is displayed on the screen.
4. Tap Transfer next to the selected unit once the download is complete.
5. Confirm the estimated transfer time.
6. Tap the checkbox to select where to upload the software update (internal storage, card slot 1, or card slot 2).

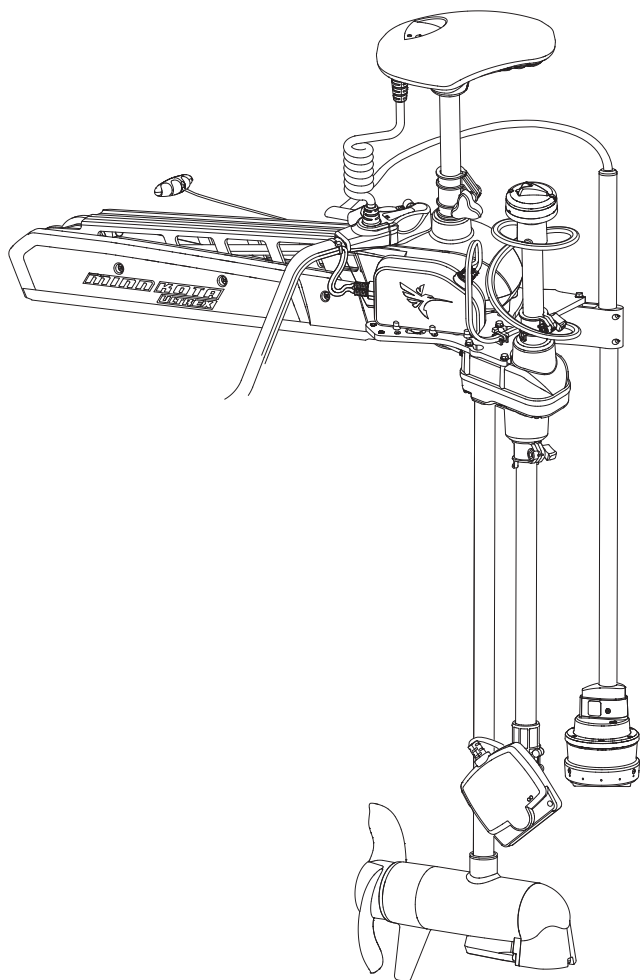


NOTE: For APEX and SOLIX Series control heads, you cannot download software updates to an SD or microSD card with LakeMaster charts saved to it.

7. Tap Transfer. The upload progress is displayed on the System menu in FishSmart and in the System Status view on the control head.
8. Follow the on-screen prompts on the control head to complete the software installation.

Install the MEGA Live Imaging TargetLock

Use the following instructions to install the MEGA Live Imaging TargetLock transducer on your Minn Kota Ultrex trolling motor. It is important to read the instructions completely and understand the mounting guidelines before you start the installation.



1. View the Installation Video

Humminbird recommends viewing our installation video before you begin installation of your MEGA Live TargetLock. Use the following QR code to access the video, as well as our FAQ (Frequently Asked Questions).

Installation Video QR Code



2. Prepare for Installation

1. The trolling motor should be in the fully retracted (flat) position on the boat deck for this installation.
2. Disconnect the motor from all sources of electrical power.
3. Test run the Ethernet cable from the chosen mounting location on the trolling motor to the control head or ethernet switch. Test run the power cable from the chosen mounting location on the trolling motor to the main switch or fuse panel.

It is important to consider the following:

- The MEGA Live Imaging TargetLock is powered separately from the control head. It must be connected to a switch where it can be powered on when the boat is underway and powered off when it is docked.
- The cables should be routed through an established routing system on the boat, in an area with minimal interference, without sharp edges, obstacles, or obstructions that may damage the cables.
- The cables will move with the trolling motor when it is deployed and retracted, so it is important to allow enough length for movement.

4. Determine if you must uninstall and reinstall your trolling motor stabilizer. You will need to uninstall and reinstall the stabilizer if:
 - You are installing your MEGA Live on the starboard side of your trolling motor.

OR

 - You are installing the dual mount accessory (for MEGA Live and MEGA 360 installation, separate purchase required).

You will reinstall the stabilizer after you have completed installation of your MEGA Live. See the installation guide that was included with your trolling motor or visit www.minnkotamotors.com for installation instructions.



NOTE: A trolling motor stabilizer included with each Minn Kota Ultrex trolling motor or available as a separately purchased accessory) is required to support your MEGA Live Targetlock. It **must** be installed before taking your MEGA Live on the water.

5. With the trolling motor deployed, the transducer has the following installation requirements:
 - The transducer should not have anything obstructing the 'view' of the beams. If possible, move anything to the sides and below the transducer that might obstruct the sight line of the beams.

3. Install the Mounting Plate

Proceed to the installation section for the type of mounting plate you will be using:

- A. MEGA Live Mounting Plate (for use with MEGA Live Imaging TargetLock only)

OR

- B. MEGA Live Dual Mounting Plate (for use with MEGA Live Imaging TargetLock and MEGA 360, separate purchase required)

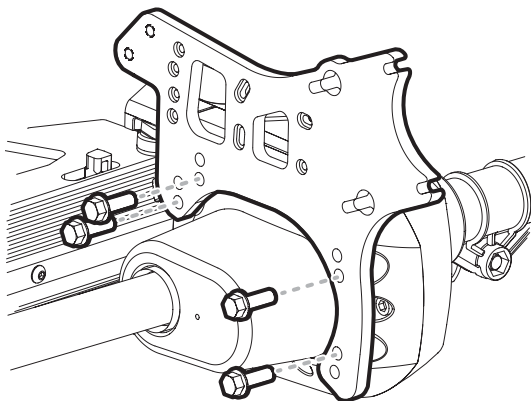
A. MEGA Live Mounting Plate

(for MEGA Live installation only)

The plate can be mounted on the left or right side of the trolling motor. If you have a motor stabilizer already installed on one side of the motor, install the mounting plate on the opposite side.

1. Align the plate below the BowGuard. Line up the holes on the plate with the threaded holes on the BowGuard.
2. Install the four (4) included 5/16-18 x 1" bolts through the plate and into the BowGuard. Hand-tighten using a 5/16 nut driver until secure (see the illustration *Installing the Mounting Plate*). Hand-tighten only!

Installing the Mounting Plate

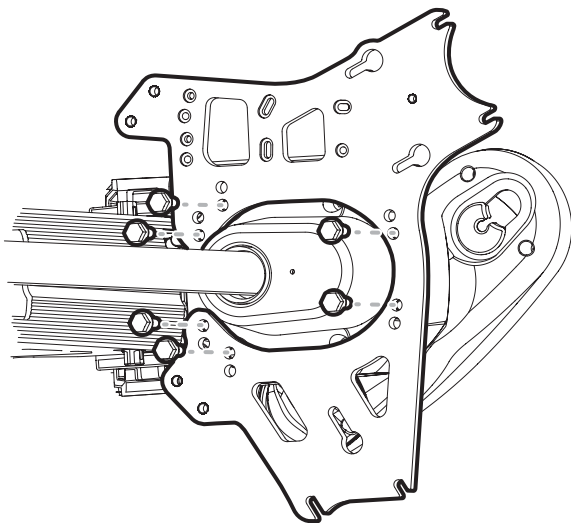


B. MEGA Live Dual Mounting Plate (for MEGA Live and MEGA 360 installation)

The dual mounting plate (separate purchase) will allow you to install your MEGA Live Imaging TargetLock on one side of your trolling motor and your MEGA 360 on the other.

1. If you have a trolling motor stabilizer installed, you will first need to uninstall it. You will reinstall it after you have completed installation of your MEGA Live. See the installation guide that was included with your trolling motor or visit www.minnkotamotors.com for instructions.
2. Align the plate below the BowGuard. Line up the holes on the plate with the threaded holes on the BowGuard.
3. Install the six (6) included 5/16-18 x 1" bolts through the plate and into the BowGuard. Hand-tighten using a 9/16 nut driver until secure (see the illustration *Installing the Mounting Plate*). Hand-tighten only!

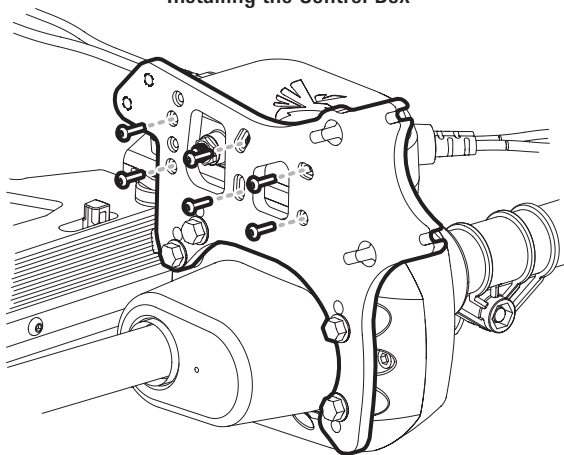
Installing the Dual Mounting Plate



4. Install the Control Box

1. Align the control box over the mounting plate with the power connector inside the larger cutout in the mounting plate (see illustration *Installing the Control Box*).
2. Install the six (6) included 8-32 screws through the plate and into the control box using the provided 9/64" Allen wrench. **Hand tighten only!**

Installing the Control Box

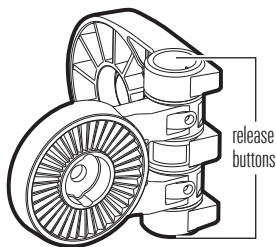


5. Install the Landscape Mode Mount

Use the following instructions to install the Landscape Mode mount onto the shaft mount and the transducer.

1. The Landscape Mode mount should be open for this step of the installation. Unlock the mount by pressing down on the two release buttons and pulling the mount open. It will relock automatically once fully opened.

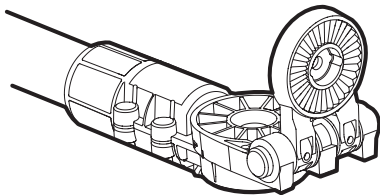
Landscape Mode Mount



2. With the Landscape Mode mount hinge perpendicular to the shaft, connect the Landscape Mode mount to the shaft mount (see the illustration *Connecting the Landscape Mode Mount to the Shaft Mount*).

The ratchets on the Landscape Mode mount hinge and the shaft mount are keyed to ensure correct alignment.

Connecting the Landscape Mode Mount to the Shaft Mount

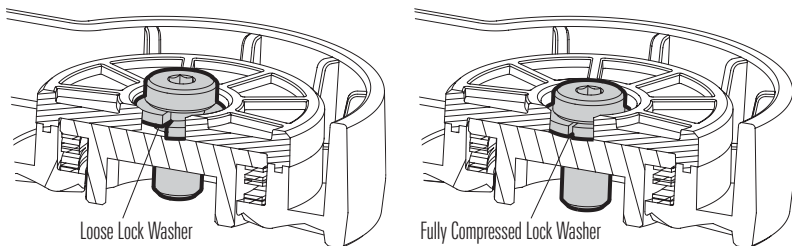


3. Secure the Landscape Mode mount to the shaft mount with one of the included lock washers and 1/4-28 screws, using the provided hex bit. Hand tighten the screw until the lock washer is fully compressed (see the illustration *Compressing the Lock Washer*), and then tighten an additional 1/4 turn. **Hand tighten only!**



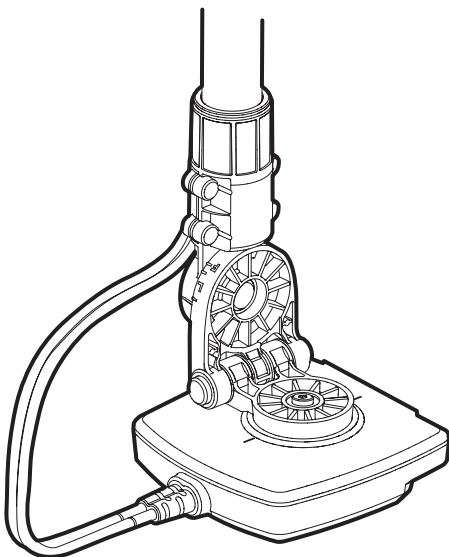
WARNING! The screw and lock washer **MUST** be fully tightened. Failure to do so may result in the transducer detaching from the shaft mount in the water.

Compressing the Lock Washer



4. Connect the transducer to the Landscape Mode mount (see the illustration ***Connecting the Landscape Mode Mount to the Transducer***). The ratchets are keyed. The ribs on the Landscape Mode mount ratchet should align with the marks on your transducer.

Connecting the Landscape Mode Mount to the Transducer

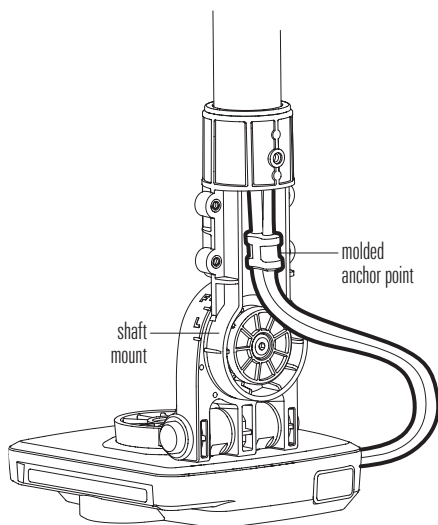


- Secure the Landscape Mode mount to the transducer with one of the included lock washers and 1/4-28 screws, using the provided hex bit. Hand tighten until the lock washer is fully compressed (see the illustration *Compressing the Lock Washer*), and then tighten an additional 1/4 turn. **Hand tighten only!**

⚠ WARNING! The screw and lock washer **MUST** be fully tightened. Failure to do so may result in the transducer detaching from the Landscape Mode mount in the water.

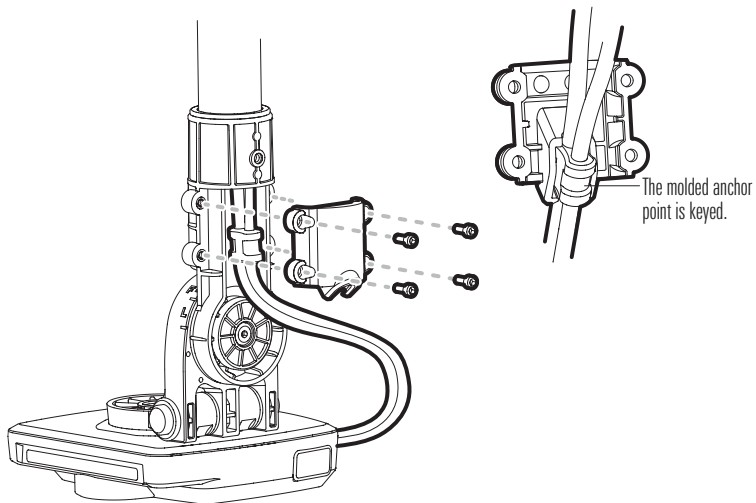
- Feed the transducer cables through the shaft until the last molded anchor point has just passed the shaft mount (see the illustration *Routing the Cables*).

Routing the Cables



- Connect the cable cover to the shaft mount. The last molded anchor point is keyed to fit into the base of the cable cover (see the illustration *Connecting the Cable Cover*).
- Secure the cable cover with the four (4) included 8-32 screws, using the provided 9/64" Allen wrench. **Hand tighten only!**

Connecting the Cable Cover



6. Test the MEGA Live Views

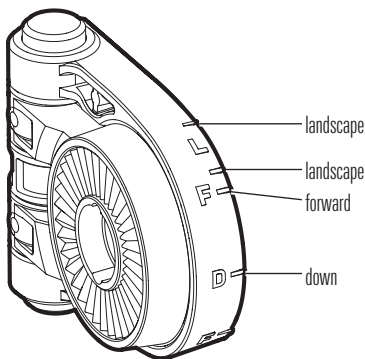
1. Rotate the transducer by hand to test the Down, Forward and Landscape Mode views as illustrated in *MEGA Live Views*. Your trolling motor mount includes guides to help you position the transducer correctly (see the illustration *MEGA Live Mode Guides*).

To alternate between Down and Forward views, rotate the transducer on its mount using both hands.

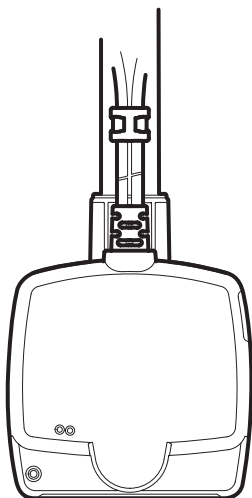
To change from Down or Forward view to Landscape Mode, press the two release buttons on the hinge until the mount unlocks. Flip the transducer out until the hinge locks.

To adjust the Landscape Mode angle, rotate the transducer on its mount using both hands.

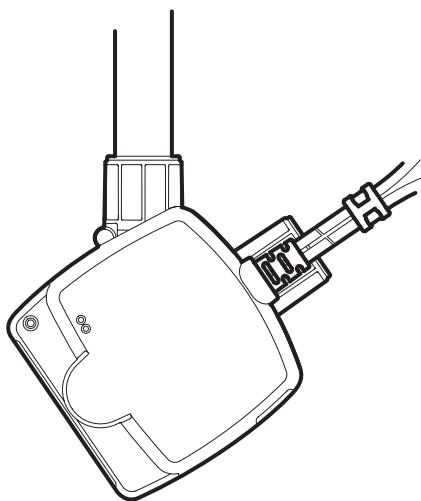
MEGA Live Mode Guides



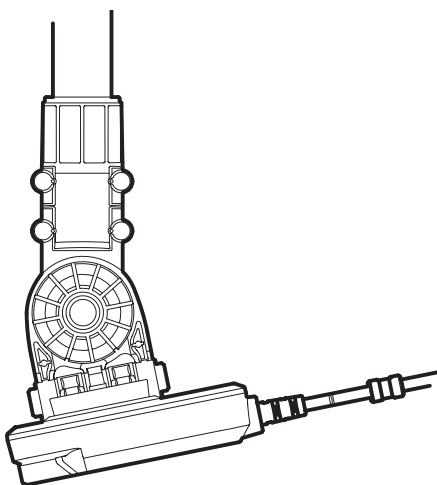
MEGA Live Views



Down View



Forward View

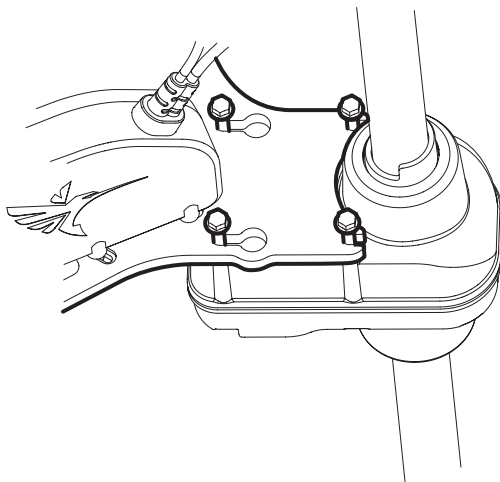


Landscape Mode

7. Connect the Shaft Assembly to the Mounting Plate

1. Install the (4) 1/4-20 x 1" screws into the threaded holes on the steering housing. Do not fully tighten.
2. Slide the bolts into the plate slots as shown in the illustration *Connecting the Steering Housing Assembly*.

Connecting the Steering Housing Assembly



3. Hand-tighten the bolts using a 3/8" wrench. **Hand tighten only!**

8. Install the MEGA Live TargetLock Heading Sensor

1. Slide the heading collar over the cables and shaft and align the holes in the collar with the holes at the top of the shaft.



NOTE: Align the heading collar so that the raised section faces away from the MEGA Live transducer's pinging element (instead of towards it) to ensure the arrow on the TargetLock heading sensor will point in the same direction as the MEGA Live.

2. Feed the TargetLock heading sensor cable through the heading mount and position the sensor on the mount so that the arrow on the sensor points away from the gap in the mount.
3. With the gap in the mount aligned with the raised section of the heading collar, slide the mount over the transducer cables and collar so that the transducer cables and TargetLock heading sensor cable exit the mount through the gap.



NOTE: The cables should be aligned so that the heading sensor cables in stacked on top of the MEGA Live power and ethernet cables.

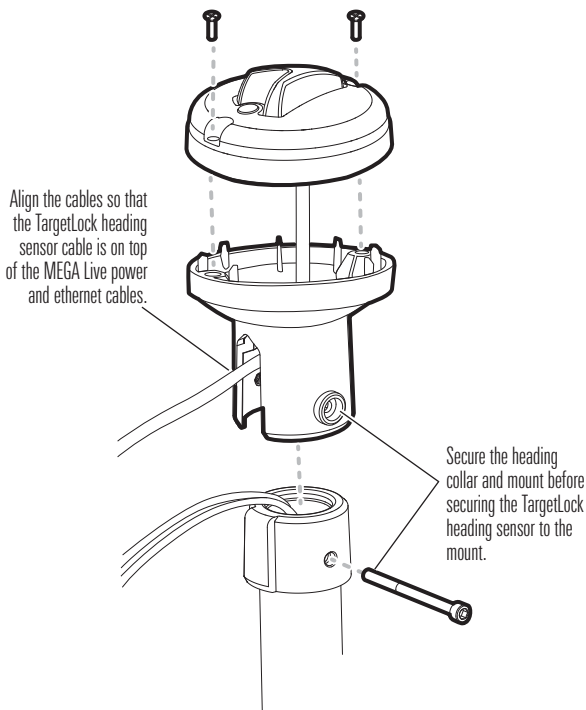
4. Secure the heading collar and mount to the shaft with the included #8-32x2 screw and hex key (see the illustration *Connecting the Heading Collar and Mount*).



NOTE: You may need to adjust the positioning of the cables to make room for the screw.

5. Secure the TargetLock heading sensor to the mount with the included two (2) #8-32x7/8 screws.

Connecting the Heading Collar and Mount



6. Slide the provided sleeving over all three cables, pushing one end into the opening of the mount.
7. Adjust the sleeving until it is smooth and then secure both ends using one of the included cable tie just outside of the TargetLock heading sensor mount and a second cable tie around the body of the transducer ethernet connector.
8. Fold excess sleeving back on itself and secure it with cable ties.



NOTE: If you do not plan to remove your unit frequently, you may also use the excess sleeving to cover all of the connectors.

9. Adjust the Transducer Height

1. Loosen the depth collar knobs and adjust the transducer shaft up or down so that it meets the following height requirements in all three views (see *Install the MEGA Live Imaging TargetLock, Section 5: Test the MEGA Live Views*):
 - The transducer must be mounted approximately 6" (152.4 mm) below the waterline.
 - The transducer must be mounted at least 1" (25.4 mm) off the tip of the propeller.

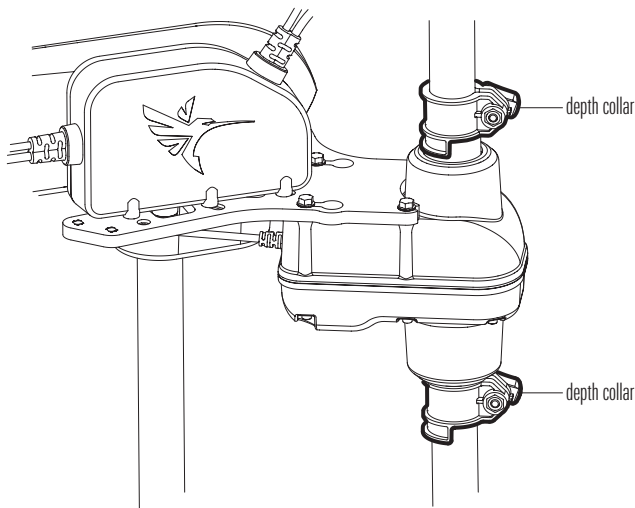


WARNING! DO NOT INSTALL THE TRANSDUCER TOO CLOSE TO THE PROPELLER.

If the transducer is installed too close to the propeller, it will be damaged. Ensure there is at least 1" of clearance between the transducer and the propeller. MEGA Live damage caused by the transducer being installed too close to the trolling motor's propeller is NOT covered by the product warranty.

2. Slide the bottom depth collar to the desired position, and tighten the knob to secure the depth collar in place so the transducer shaft is fully secure and won't drop during operation.
3. Slide the top depth collar down to secure the transducer shaft to the desired height, and tighten the knob to secure the depth collar in place.

Securing the Depth Collars



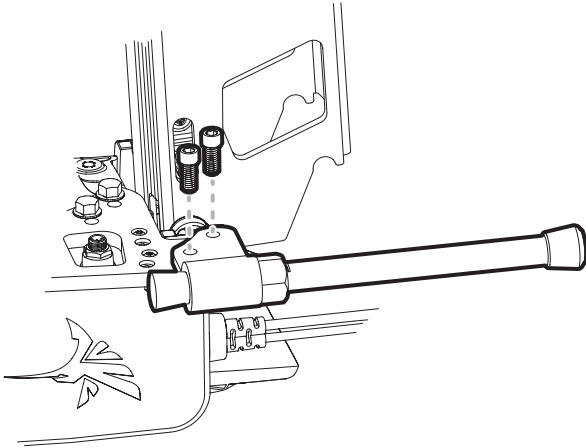
10. Reinstall the Motor Stabilizer

1. If you removed your motor stabilizer prior to installing your Mega Live, reinstall it now through the MEGA Live plate (see the illustration *Reinstalling the Motor Stabilizer*) using the provided 5/16" screws with locking washers. It may be necessary to shorten your motor stabilizer. See the installation guide that was included with your trolling motor or visit www.minnkotamotors.com for more information.



NOTE: A trolling motor stabilizer (included with each Minn Kota Ultrex trolling motor or available as a separately purchased accessory) is required to support your MEGA Live Targetlock. It **must** be installed before taking your MEGA Live on the water.

Reinstalling the Motor Stabilizer

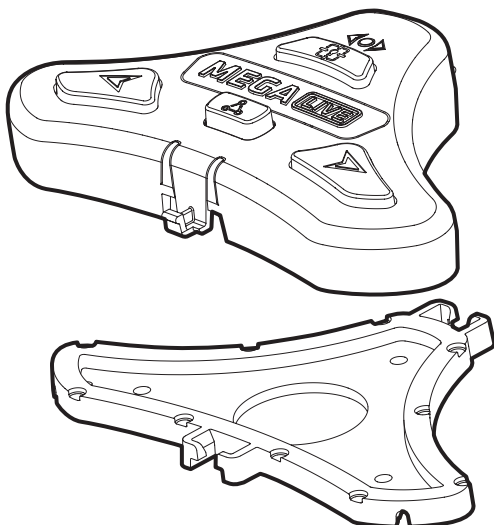


Install the MEGA Live Imaging TargetLock Foot Pedal

Before mounting your MEGA Live Imaging TargetLock foot pedal, please give consideration to the following:

- Examine your boat to ensure that you will not drill into any obstructions and that the hardware will be accessible for assembly.
 - Make sure the area under the mounting location is flat, clear to drill holes and that the installation hardware will not damage existing components below the mounting surface. It may be necessary to shim or modify the mounting surface under the mounting location to create a flat area for the foot pedal to be mounted.
 - Mount the foot pedal in an area that has a clear line of communication with your Humminbird.
 - Mount the foot pedal in an area where it will not become a tripping hazard.
1. Once you have selected a mounting location for your foot pedal, remove the foot pedal from the base by squeezing the tabs on both sides of the foot pedal and pulling the pedal and base apart.

Separating the Foot Pedal and Base



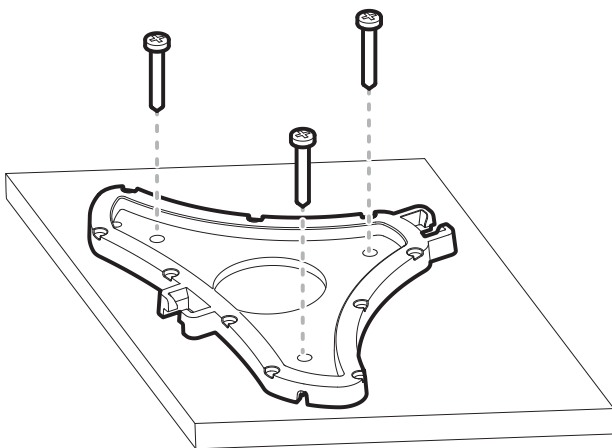
2. Position the base at the selected location and mark the mounting holes with a pencil or similar marking tool.



NOTE: The base has three mounting holes that are used to secure it to the boat. The bottom side of the base has three pads around the mounting holes. These pads should be placed facing down when the base is installed.

3. Place one of the three (3) provided #8 screws in each of the mounting holes of the base. Make sure the mounting holes still line up with the marked locations and then use a drill with a #2 Phillips driving bit to secure the base to the deck of the boat. Do not overtighten.

Securing the Base to the Deck



4. Once the base is installed, reattach the foot pedal to the base. Make sure the tabs on the pedal click into place and that the pedal is fully seated on the deck of the boat.

Install a MEGA 360 (separate purchase, for use with the dual mounting plate)

Use the following instructions to install the MEGA 360 Imaging transducer (separate purchase required) on your Minn Kota Ultrax trolling motor. It is important to read the instructions completely and understand the mounting guidelines before you start the installation.



NOTE: The dual mounting plate (separate purchase) is required for this installation. See *Install the MEGA Live Imaging TargetLock, Section 2B: MEGA Live Dual Mounting Plate* for mounting plate installation instructions.

1. Prepare for Installation

1. The trolling motor should be in the fully retracted (flat) position on the boat deck for this installation.
2. Disconnect the motor from all sources of electrical power.
3. Test run the transducer cable from the chosen mounting location on the trolling motor to the control head. Test run the power cable from the chosen mounting location on the trolling motor to the main pedal or fuse panel.

It is important to consider the following:

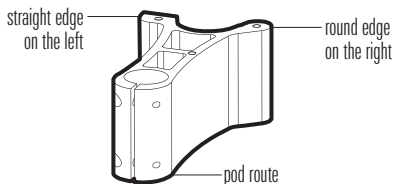
- The MEGA 360 Imaging transducer pod is powered separately from the control head. It must be connected to a switch where it can be powered on when the boat is underway and powered off when it is docked.
 - The cables should be routed through an established routing system on the boat, in an area with minimal interference, without sharp edges, obstacles, or obstructions that may damage the cables.
 - The cables will move with the trolling motor when it is deployed and retracted, so it is important to allow enough length for movement.
4. With the trolling motor deployed, the transducer pod has the following installation requirements:
 - The transducer pod should not have anything obstructing the 'view' of the rotating beams (besides the trolling motor and shaft). If possible, move anything to the sides and below the pod that might obstruct the sight line of the rotating beams.
 - The pod must be mounted at least 1" (25.4 mm) off the tip of the propeller.

- The pod should be submerged 6" (152.4 mm) below the waterline. The height may be adjusted, however, the pod must be mounted 1" (25.4 mm) off the tip of the propeller.

2. Assemble the MEGA 360 Mount

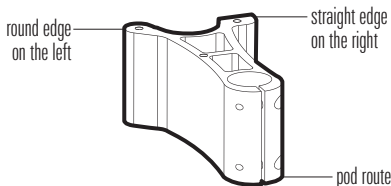
1. If your MEGA 360 will be mounted on the left side of the trolling motor, position the mount so the straight edge faces to the left as shown in the illustration.

Positioning the Mount for Installation on the Left Side of Trolling Motor



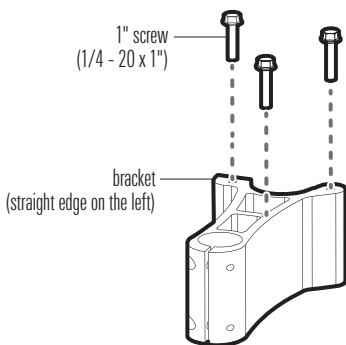
- If your MEGA 360 will be mounted on the right side of the trolling motor, position the mount so the straight edge faces to the right as shown in the illustration.

Positioning the Mount for Installation on the Right Side of Trolling Motor



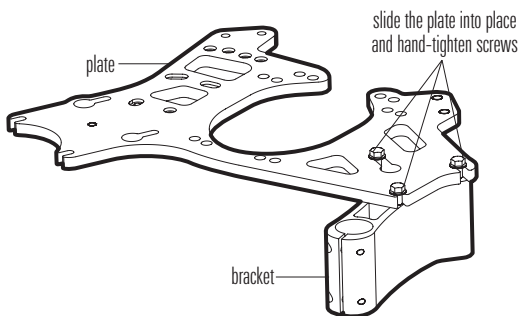
2. Install the (3) 1/4-20 x 1" screws into the threaded holes on the bracket as shown in the illustration. Do not fully tighten.

Installing the Screws onto the Mount



3. Align the left screw (left side installation) or right screw (right side installation) under the center hole of the dual mounting plate (see the illustration ***Securing the Mount and Plate***).
4. Slide the screw into the plate slot and then slide the other two screws into the outside slots on the plate.

Securing the Plate and Bracket

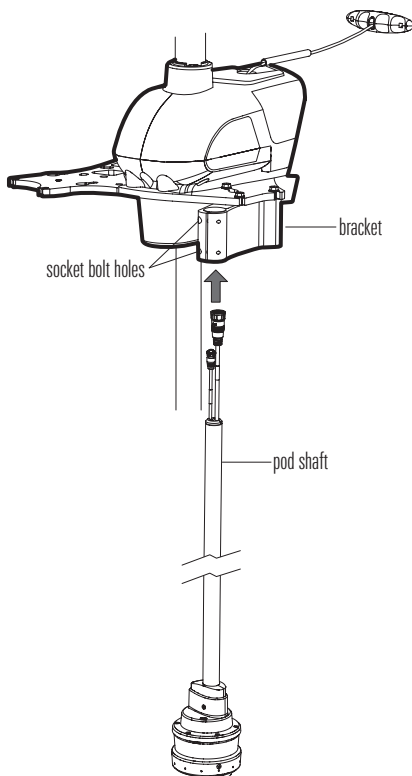


5. Hand-tighten the screws using a 1/4" nut driver or socket wrench. **Hand-tighten only!**

3. Install the Pod

1. Route the cables and up through the trolling motor mount and bracket.
2. Use an Allen wrench (not included) to install the (2) 10-32 x 9/16" socket bolts on the bracket where the pod shaft is installed.
3. Tighten the bolts so the pod shaft is fully secure and won't drop when it is deployed in the next step. **Hand-tighten only!**

Routing the Cables and Pod Shaft



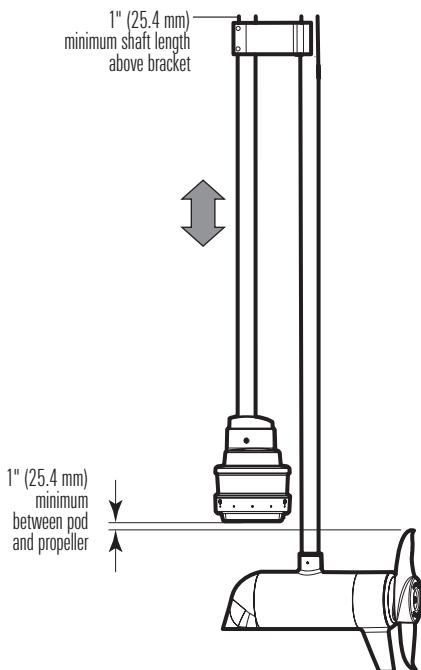
4. Adjust the Pod Height

1. Deploy the Trolling Motor.
2. Loosen the socket bolts on the mount where the pod shaft is installed. Adjust the pod shaft up or down, so it meets the following height requirements:
 - The pod must be mounted approximately 6" (152.4 mm) below the waterline.
 - The pod must be mounted at least 1" (25.4 mm) off the tip of the propeller.
 - The pod shaft needs to protrude at least 1" to 2" (25.4 mm to 50.8 mm) above the bracket when it is installed.



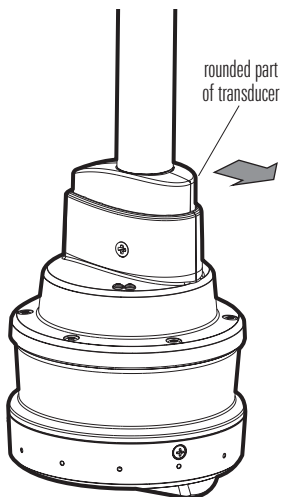
WARNING! DO NOT INSTALL THE POD TOO CLOSE TO THE PROPELLER. If the pod is installed too close to the propeller, it will be damaged. Ensure there is at least 1" of clearance between the pod and the propeller. MEGA 360 damage caused by the pod being installed too close to the trolling motor's propeller is **NOT** covered by the product warranty.

Adjusting the Pod Height (at least 1" from the tip of the propeller)



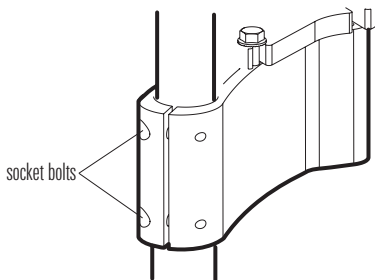
3. Turn the pod shaft until the rounded end of the transducer points in the direction of travel. The centerline of the transducer should be parallel with the centerline of the boat. See the illustration *Aligning the Transducer*.

Aligning the Transducer



4. When the transducer position is finalized, hand-tighten the socket bolts equally and completely so the pod shaft is fully secure and won't drop or rotate during operation. Tighten each bolt an additional 1/4 or 1/2 turn. **Hand-tighten only!**

Hand-Tightening the Socket Bolts

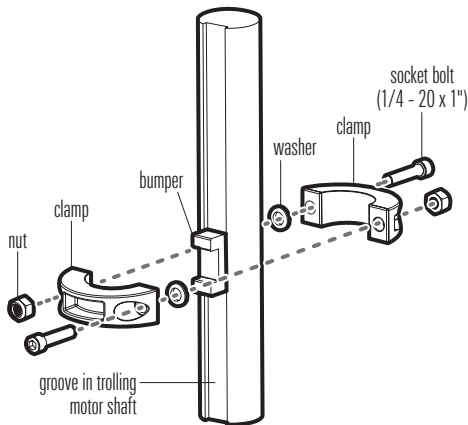


5. Install the Collar Clamp

After you have established the pod height is no closer than 1 inch from the tip of the propeller, install the collar clamp to prevent the trolling motor from hitting the transducer pod.

1. Apply anti-seize to the end of each 1" socket bolt (1/4-20 x 1").
2. Install a 1" socket bolt (1/4-20 x 1") into the hole on 1 clamp half.
3. Place the bumper into the groove of the trolling motor shaft. Center one clamp half over the bumper as shown in the illustration.
4. Install a washer, the clamp (half), and hex nut (1/4-20) onto the trolling motor shaft as shown in the illustration. Repeat on the other side.

Installing the Collar Clamp



NOTE: If your installation kit does not include a washer, you may skip the washer portion of the installation.

5. Use an Allen wrench (not included) to tighten the hardware just enough to keep the collar assembled.
6. Slide the collar up to the base of the BowGuard.
7. Use an Allen wrench (not included) to fully tighten the socket bolts until they are secure. **Hand-tighten only!**

Details: Tighten the socket bolts and collar clamp hardware evenly on both sides of the clamp until you feel them start to compress and secure, and then tighten each bolt an additional 1/4 to 1/2 turn.



WARNING! The socket bolts must be tightened completely to prevent the trolling motor from potentially damaging the pod. **Hand-tighten only!**

Route the Cables and Connect Power

WARNING! The power source must be turned off before you proceed with this installation.

WARNING! Do NOT route your MEGA Live TargetLock cables where they can be cut, ripped, or pulled by the trolling motor articulating, rotating, or during stow and deploy. Failure to correctly route your cables WILL result in damage to your control box. Wires damaged by improper installation are **NOT** covered by the product warranty.

CAUTION! Do NOT mount the cables where the connectors could be submerged in water or flooded. If cables are installed in a splash-prone area, it may be helpful to apply dielectric grease to the inside of the connectors to prevent corrosion. Dielectric grease can be purchased separately from a general hardware or automotive store.

NOTE: The cables should be routed through an established routing system on the boat, in an area with minimal interference. Inspect the selected route carefully to ensure that there are no sharp edges, obstacles, or obstructions that may damage the cables. **Avoid pinch points created by stowing or deploying the trolling motor.**

1. Route the MEGA Live Power, Ethernet and Heading Sensor Cables

1. Loosely wrap the sleeved MEGA Live power, Ethernet and TargetLock heading sensor cables exiting the TargetLock heading sensor mount around the upper end of the shaft. Leave sufficient slack in the cables to allow for full movement of the shaft during normal operation (see *Routing the Transducer and TargetLock Heading Sensor Cables*).

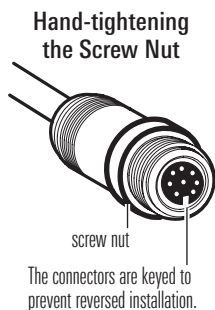
2. Connect the transducer and TargetLock heading sensor cables to the control box.

Ethernet: Insert the Ethernet Cable into the Ethernet port on the control box. Hand-tighten the screw nut.

Power: Insert the Power Cable into the Power port on the control box. Hand-tighten the screw nut.

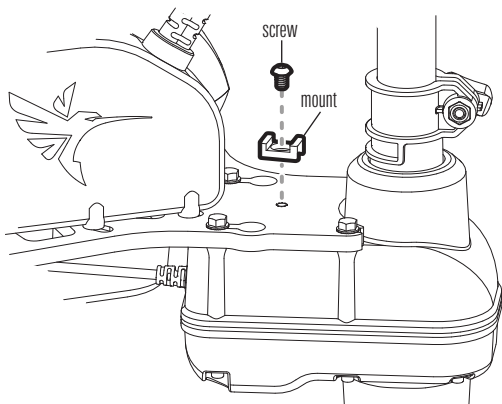
TargetLock Heading sensor: Connect the TargetLock heading sensor cable to the heading sensor port on the control box. If there is excess cable, it can be fed back into the TargetLock heading sensor mount.

3. Secure the included zip tie mount to your mounting plate using the provided 1/4-20 x 3/8" screw (see illustration *Installing the Zip Tie Mount*).

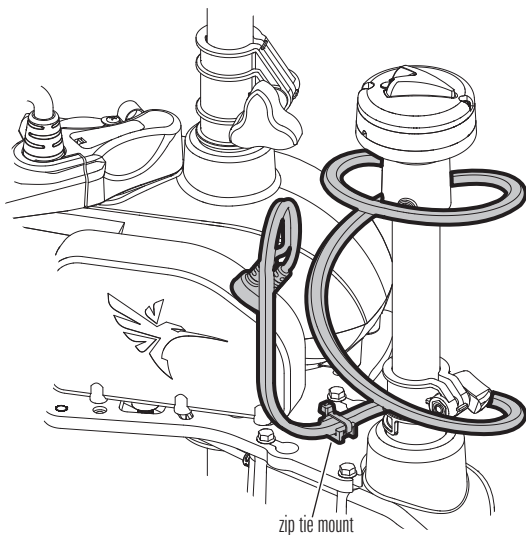


- Secure the cables to the zip tie mount on your mounting plate using one of the included zip ties (see the illustration *Securing the Cables to the Zip Tie Mount*).

Installing the Zip Tie Mount



Securing the Cables to the Zip Tie Mount



2. Route the MEGA Live Control Box Cables

1. **If your MEGA Live is installed on the inboard (typically starboard) side of your trolling motor:** Route the rest of the cables with your Ultrex trolling motor cables. Secure them with zip ties at the base of the pedal control sleeve (see illustration *Routing the Control Box Cables*) and along the trolling motor cables as needed. Route them over the bow to the chosen connection locations in *Section 1: Prepare for Installation*.



NOTE: Depending on your installation configuration, you may first need to route the cables over the trolling motor.



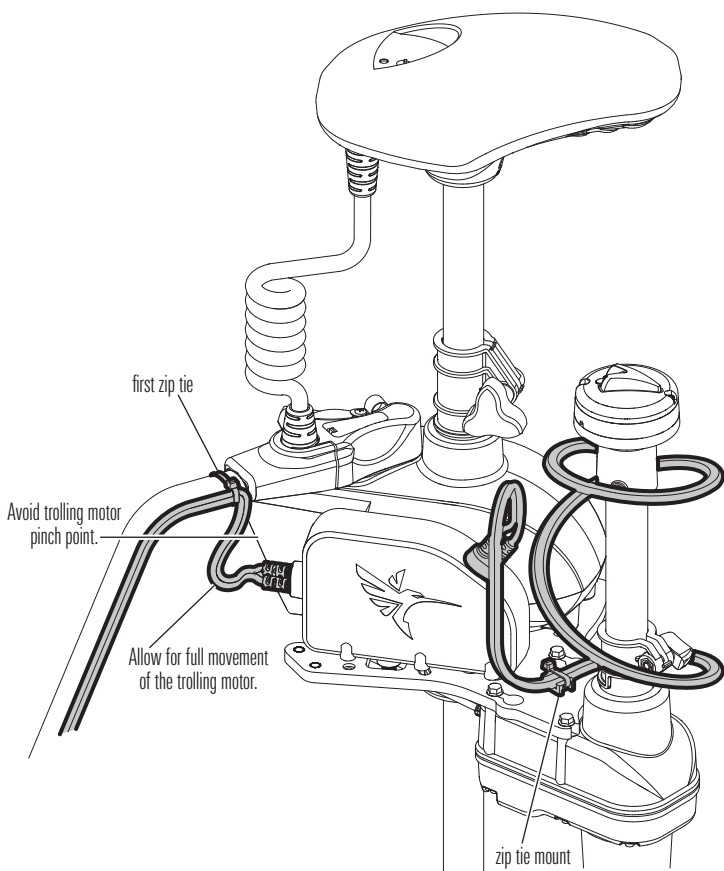
NOTE: The included p-clip is not needed for an inboard installation.

If your MEGA Live is installed on the outboard (typically port) side of your trolling motor: Route the cables over your trolling motor. Secure them to the trolling motor with the included p-clip and #10-24 screw. Route the rest of the cables with your Ultrex trolling motor cables. Secure them with zip ties at the base of the pedal control sleeve (see illustration *Routing the Control Box Cables*) and along the trolling motor cables as needed. Route them over the bow to the chosen connection locations in *Section 1: Prepare for Installation*.

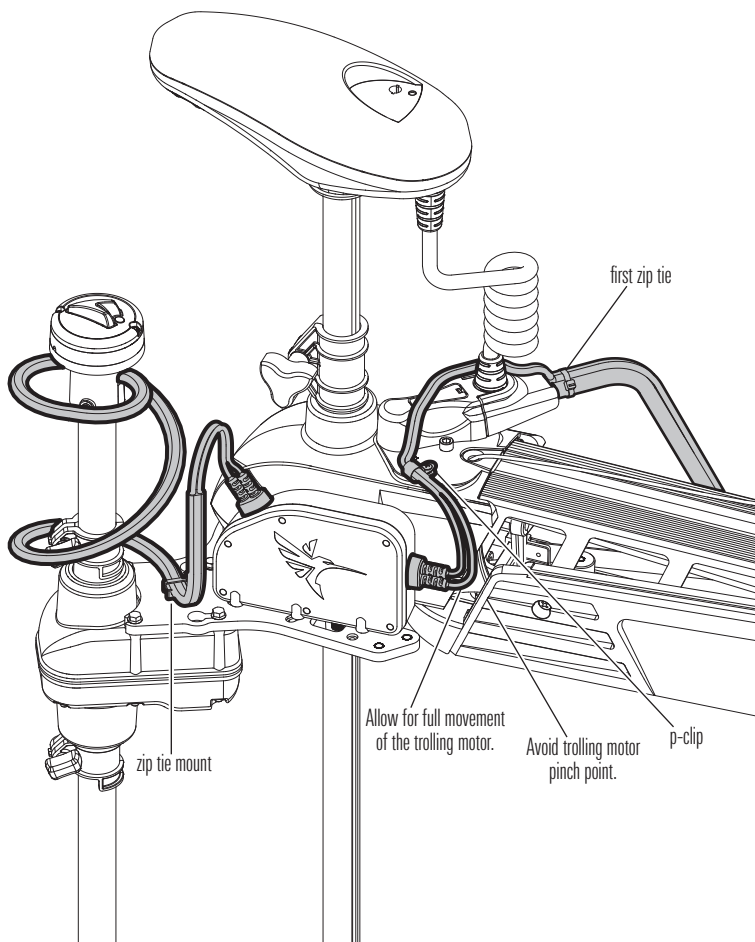


WARNING! The control box cables must be routed and secured to allow for full movement of the trolling motor during normal operation and during stow and deploy. Failure to do so can result in damage to the control box. Humminbird recommends observing your trolling motor as it deploys and stows before finalizing your cable routing.

Routing the Control Box Cables



Inboard (Typically Starboard) Installation



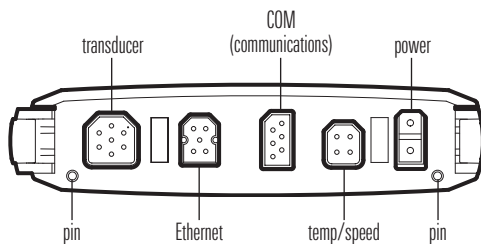
Outboard (Typically Port) Installation

2. **Ethernet:** Insert the Ethernet Cable into the Ethernet port on the control head. Hand-tighten the screw nut.

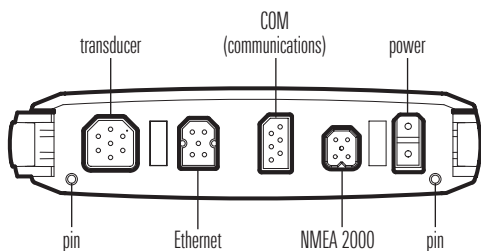


NOTE: If you have a HELIX Series unit with Ethernet, connect the Ethernet Cable to an Ethernet Adapter Cable (AS EC QDE, separate purchase required). Insert the connector into the Ethernet port on the control head or cable tray. See your control head installation guide for details.

HELIX G3N 8, 9, 10, 12 Cable Tray



HELIX G4N 8, 9, 10, 12, 15 Cable Tray



3. Route the MEGA 360 Cables

(separate purchase)

1. Connect the power cable to the power cable connector on the pod shaft, and connect the transducer cable to the transducer cable connector on the pod shaft.

The connectors are keyed to prevent reversed installation, so be careful not to force the connectors. Hand-tighten the screw nuts on each connector.

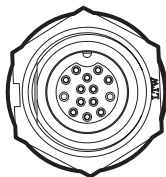


NOTE: If you are connecting the MEGA 360 Imaging transducer and another compatible transducer to the same control head, you will need to purchase a transducer splitter cable (y-cable). See *Compatibility* for the list of cables, and visit our Web site at www.humminbird.com/support/installation-diagrams to view the wiring diagrams.

2. Route the cables to the side of the trolling motor, over the bow, to the chosen connection locations in **Section 1: Prepare for Installation**. Leave sufficient slack in the cables to allow for full movement of the trolling motor during normal operation.

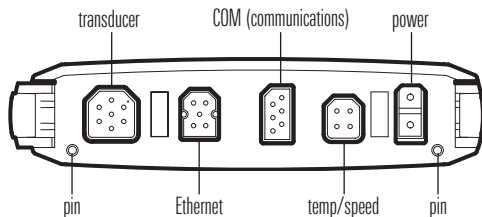
3. **APEX/SOLIX:** Insert the other end of the transducer cable to the sonar port on the control head. Hand-tighten the screw nut.

APEX/SOLIX Sonar Port

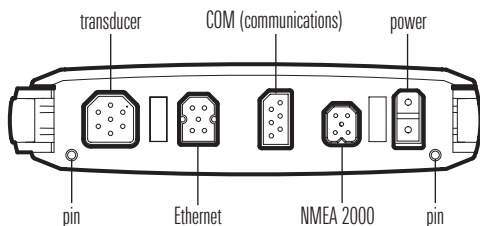


HELIX: Insert the transducer adapter cable to the transducer port on the HELIX control head.

HELIX G3N 8, 9, 10, 12 Cable Tray



HELIX G4N 8, 9, 10, 12, 15 Cable Tray



4. Connect Power

1. **Power:** Route the power cable(s) to the main switch or fuse panel (usually located near the console). If you must connect to a battery, connect to a battery switch (not included).



WARNING! The MEGA Live Imaging TargetLock and MEGA 360 Imaging transducers should be connected to a main switch, fuse panel, or battery switch. Humminbird does not recommend connecting to a battery without a fuse and a switch.



CAUTION: Some boats have 24 or 36 Volt electric systems, but the MEGA Live Imaging transducer **MUST** be connected to a 12 VDC power supply.



NOTE: Humminbird is not responsible for over-voltage or over-current failures. The MEGA Live Imaging TargetLock must have adequate protection through the proper selection and installation of a 5A slow-blow fuse.



NOTE: A 10' (3 m) power cable is included to supply power to the MEGA LIVE Imaging transducer. You may shorten or lengthen the cable using 12 gauge multi-stranded copper wire.

- 2a. **Main Switch/Fuse Panel:** If a fuse terminal is available, use crimp-on type electrical connectors (not included) that match the terminal on the fuse panel. Attach the black wire to ground (-), and the red wire to positive (+) 12 VDC power, and the drain/shield wire to the boat's chassis ground terminal.

MEGA Live Imaging TargetLock: Install a 5A slow-blow fuse (not included) for protection of the unit.

MEGA 360: Install a 1 Amp fuse (not included) for protection of the unit.

OR

- 2b. **Battery Switch:** Install the battery switch (not included) using the instructions provided with it.

MEGA Live Imaging TargetLock: Install an inline fuse holder and a 5A slow-blow fuse (not included) for protection of the unit.

MEGA 360: Install an inline fuse holder and a 1 Amp fuse (not included) for protection of the unit.

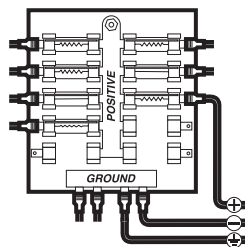
Attach the black wire to ground (-), the red wire to positive (+) 12 VDC power, and the drain/shield wire to the boat's chassis ground terminal.

⚠ WARNING! If you are unable to obtain a battery switch and are forced to connect the power cable directly to the battery, be aware that this will drain the battery. Humminbird does not recommend connecting to a battery without the appropriate fuse and a switch.

🔧 NOTE: The drain/shield wire is the non-tinned black wire.

3. Secure the cables along the route as needed for a clean assembly.

Connecting to the Fuse Panel



Set Up the Control Head

Use the following instructions to power on the control head and confirm the MEGA Live Imaging transducer and the Humminbird GPS Heading Sensor (optional) are detected by the unit (for Minn Kota Heading Sensor instructions, see your *i-Pilot Link Owner's Manual*).



CAUTION! It is important to finish all installation connections before powering on the control head. It may take up to a minute for the MEGA Live Imaging transducer and other attached equipment to be detected by the control head.







NOTE: For MEGA 360 set up instructions, see the manual that was included with your transducer or visit our Web site at humminbird.com.

1. Confirm Connections

APEX/SOLIX Series

1. Turn on the power source from the main switch.
2. On the control head, press and hold the POWER key. **If you are powering on a control head in a multiple-control head Ethernet network**, make sure your ethernet switch(es) have power and your MEGA Live TargetLock is connected to the switch.
3. Select Normal mode.
4. Review the status bar in the top, right corner of the screen to confirm the sensor status for the MEGA Live Imaging transducer and the GPS Heading Sensor is connected.

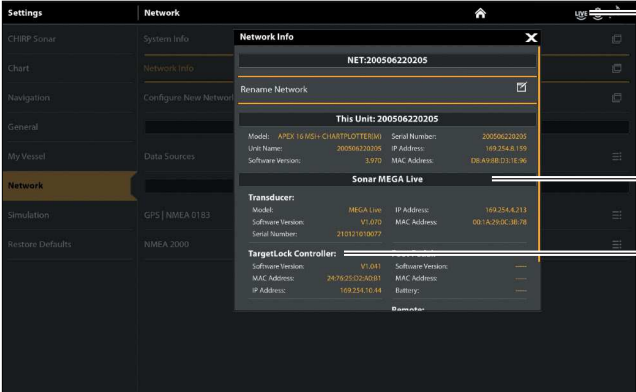
MEGA Live Status Icon	Icon Description
	Connected/In Water/Pinging: The MEGA Live is connected, in the water, and pinging.
	Connected/In Water/Not Pinging: The MEGA Live is connected and in the water, but it is not pinging.
	Connected/Out of Water: The MEGA Live is connected, but the wet indicator is out of the water.
	Connection Lost: The connection to the MEGA Live was lost.

GPS Heading Sensor Icon	Icon Description
	Compass: The selected heading sensor is on and heading data is being received.
	Detected and Active: The GPS receiver is detected and a GPS fix has been obtained.
	Connected but not Detected or Active: The GPS receiver is connected, but not detected on the network or no GPS fix has been obtained.
	Connected but not Transmitting/Receiving: The GPS receiver is detected, but it doesn't have a GPS fix.



NOTE: For additional system status, select Home > Settings > Network > Network Info.

MEGA Live Imaging Transducer Connected (APEX/SOLIX)



The screenshot shows the 'Settings' menu with 'Network' selected. A 'Network Info' window is open, displaying details for a network named 'NET:200506220205'. Under 'This Unit: 200506220205', the 'Sonar MEGA Live' section is expanded, showing the following information:

- Transducer:**
 - Model: APEX 16 MS+ CHARTPLOTTER360
 - Serial Number: 200506220205
 - Line Name: 200506220205
 - Software Version: 3.970
 - IP Address: 169.254.8.159
 - MAC Address: D8:A9:8B:D3:1E:96
- Sonar MEGA Live:**
 - IP Address: 169.254.4.213
 - MAC Address: 00:1A:29:0C:38:78
- TargetLock Controller:**
 - Software Version: V1.011
 - MAC Address: 24:76:25:D2:A0:81
 - IP Address: 169.254.10.44
 - Battery: ---
 - Software Version: ---
 - MAC Address: ---
 - Battery: ---

Annotations on the right side of the screenshot:

- MEGA Live icon on the status bar
- MEGA Live Imaging listed
- MEGA Live Imaging TargetLock Controller listed

HELIX Series

1. Turn on the power source from the main switch.
2. On the control head, press and hold the POWER key. **If you are powering on a control head in a multiple-control head Ethernet network**, make sure your ethernet switch(es) have power and your MEGA Live TargetLock is connected to the switch.
3. When the Title screen is displayed, press the MENU key.
4. Select Normal. Press the RIGHT Cursor key.
5. Press and hold the VIEW key. Select System > Accessory Test. Confirm that **MEGA Live**, **MEGA Live TL** and **GPS + Heading Sensor** are listed as Connected. It will take up to two minutes for the equipment to be detected.
6. Press and hold the VIEW key. Select System > GPS Diagnostic View. Confirm that External GPS is displayed and the Fix Type indicates Enhanced or 3D.



NOTE: If the GPS Diagnostic View or Accessory Test is not displayed in the View Rotation, press the MENU key twice to open the Main Menu. Select the Views tab > GPS Diagnostic View or Accessory Test. Change the setting for each view to Visible.

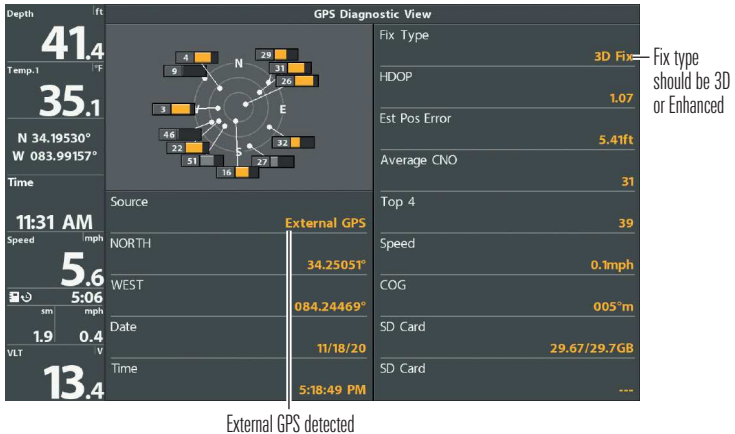
HELIX Accessory Test

Accessory Test	
Depth ^m 13.3	360 Imaging UNCONNECTED
Temp.1 ---	BT Raptor UNCONNECTED
N 50.68434° W 001.05273°	GPS + Heading Sensor CONNECTED
	MEGA 360 Imaging UNCONNECTED
Time 11:32 AM	MEGA Live v1.070 S/N: 210121010077 CONNECTED
	MEGA Live TL v1.041 S/N: 000000000000 CONNECTED
Speed ^{kph} 9.0	NMEA 2000 CONNECTED
	CHIRP-Radar CONNECTED
VLT ^V 13.0	Speed CONNECTED
	Temperature UNCONNECTED
	Trolling Motor BT v9.999 CONNECTED

GPS Heading Sensor listed as Connected

MEGA Live and MEGA Live TL listed as Connected

GPS Diagnostic View



2. Set Up MEGA Live Imaging on the Control Head

APEX/SOLIX Series

Your APEX or SOLIX control head will automatically detect and subscribe to MEGA Live Imaging. Use the following instructions to confirm that MEGA Live is selected in the Network Source Setup dialog box.

1. Press the HOME key.
2. Select Settings > CHIRP Sonar > Sonar Source.
3. Select the MEGA Live tab.
4. Select MEGA Live from the MEGA Live Source list.
5. Press the EXIT key to close the dialog box.




HELIX Series

Your HELIX control head will automatically detect and subscribe to MEGA Live Imaging. Use the following instructions to confirm that MEGA Live is selected in the Network Source Setup dialog box. It might take up to a minute for the equipment to be detected.

1. **Main Menu:** Press the MENU key twice.

2. Select the Network tab > Network Source Setup. Press the RIGHT Cursor key.
3. Select the Live tab from the Network Source Setup dialog box.
4. Select MEGA Live from the transducer list. Press the RIGHT Cursor key. A checkmark will display in the box to show it is selected.
5. Press the EXIT key until the dialog box is closed.

Selecting the MEGA Live Imaging Transducer

Network Source Setup							
Status	2D	DI	Live	T1	T2	GPS	
Name	Model			kHz 			
zynq	MEGA Live Sonar		MEGA Live	MULTIBEAM 			

3. Test MEGA Live Imaging on the Control Head

It is important to confirm that the MEGA Live Imaging transducer is providing sonar returns to the display. The instructions in this section should be performed at trolling speeds in calm, open water, in a large area that is far from shallow water, boats, or other obstacles.

APEX/SOLIX Series

1. Tap the View widget icon in the side bar.



NOTE: Once the MEGA Live has been detected the first time, the MEGA Live Imaging view will display on the Favorite Views widget.

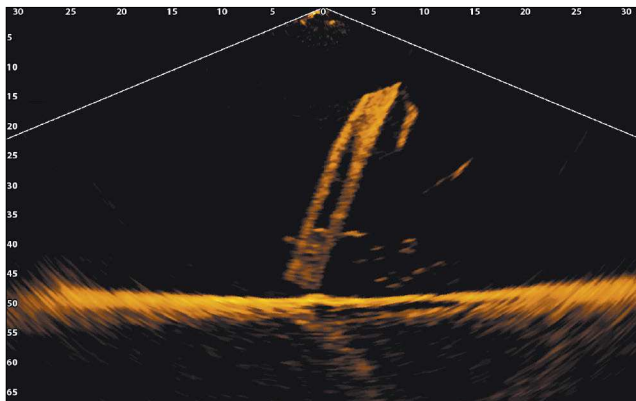
2. Tap MEGA Live Imaging.
3. The sonar returns from the MEGA Live will begin to display on the MEGA Live View. Review the display for the following information and see the illustrations *Reviewing the MEGA Live View*.
 - **Bottom:** Confirm that the bottom is visible on-screen.

- **Blocked Beams:** If the beams hit a hard surface, it will appear as bright white on the display. If the beams are blocked by any objects, move the objects if possible. You can also adjust the MEGA Live Range on the X-Press Menu to see more or less detail on the display.
4. **Stop Pinging:** When you are finished reviewing the operation, tap Ping Off from the MEGA Live status bar.

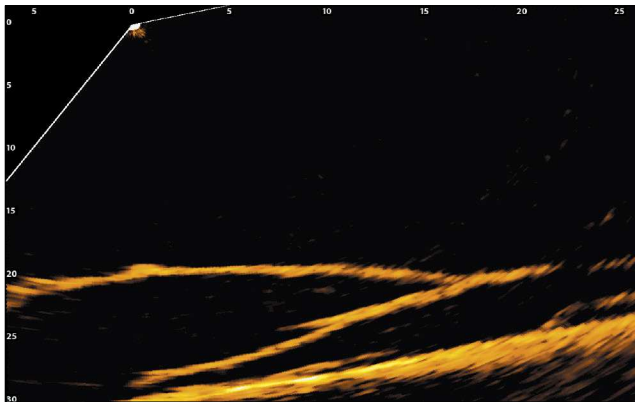
HELIX Series

1. Press and hold the VIEW key.
2. Select Sonar > MEGA Live View.
3. The sonar returns from the MEGA Live will begin to display on the MEGA Live View. Review the display for the following information and see the illustrations *Reviewing the MEGA Live View*.
 - **Bottom:** Confirm that the bottom is visible on-screen.
 - **Blocked Beams:** If the beams hit a hard surface, it will appear as bright white on the display. If the beams are blocked by any objects, move the objects if possible. You can also adjust the MEGA Live Range on the X-Press Menu to see more or less detail on the display.
4. **Stop Pinging:** When you are finished reviewing the operation, press the MENU key once. Select MEGA Live Pinging, and press the LEFT Cursor key.

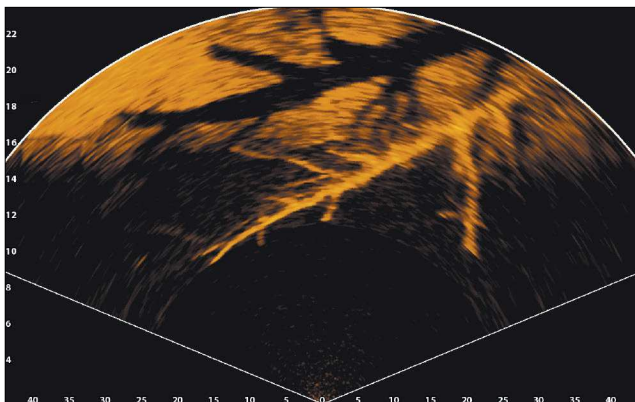
Reviewing the MEGA Live View



(Down)



(Forward)



(Landscape)

Changing the MEGA Live Mode

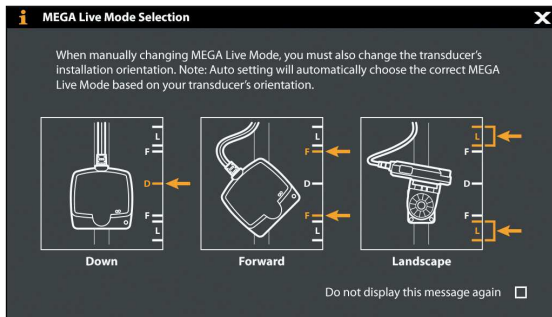
Your control head will automatically select the best mode for your installation. Use the following instructions to manually change the MEGA Live Mode to Down, Forward, or Landscape.

APEX/SOLIX Series

1. With a MEGA Live Imaging View displayed on-screen, tap the MEGA Live Mode icon in the status bar.
2. Select Auto.
Tap the on/off button, or press the ENTER key, to turn Auto off.
3. Tap, or use the Joystick and Enter key, to select a MEGA Live Mode.

When you manually change the MEGA Live mode, a message box will display reminding you to also change the transducer's installation orientation. For instructions on changing the installation orientation, see Step 2 of *Install the Trolling Motor Mount, Section 5: Route the Cables and Connect Power*.

Changing the MEGA Live Mode (APEX/SOLIX)

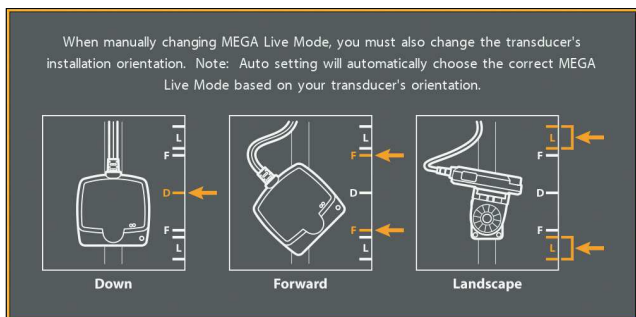


HELIX Series

1. **X-Press Menu:** With a MEGA Live Imaging View displayed on-screen, press the Menu key once.
2. Select MEGA Live Mode.
3. Press the RIGHT or LEFT Cursor keys to select a mode.

When you manually change the MEGA Live mode, a message box will display reminding you to also change the transducer's installation orientation. For instructions on changing the installation orientation, see Step 2 of ***Install the Trolling Motor Mount, Section 5: Route the Cables and Connect Power.***

Changing the MEGA Live Mode (HELIX)



4. **Close:** Press the EXIT key.

4. Pair the TargetLock Heading Sensor to the Control Head

Use the following instructions to pair the MEGA Live Imaging TargetLock Heading Sensor to your Humminbird control head.

APEX/SOLIX Series

1. Press the HOME key.
2. Select Settings > CHIRP Sonar > Pair TargetLock Heading Sensor.
3. On your TargetLock Heading Sensor, press the Pair button.
4. The control head and the TargetLock Heading Sensor will go into Pairing Mode.
If 30 seconds pass while in Pairing Mode and they do not successfully pair, an error message will display signaling that the pairing has timed out. Repeat the procedure.



NOTE: You can check the MEGA Live Device List to confirm that the TargetLock Heading Sensor is paired. Select Home > Settings > CHIRP Sonar > Device List.

HELIX Series

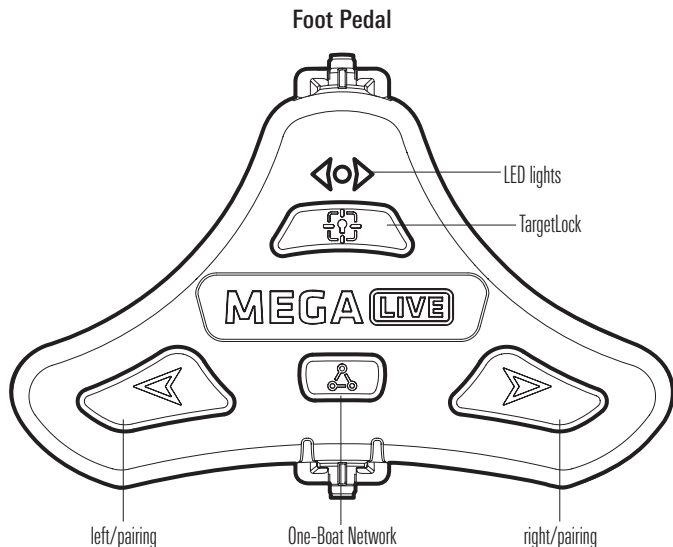
1. **Main Menu:** On your control head, press the MENU key twice.
2. Select the Accessories tab > MEGA Live > MEGA Live Installation.
3. Select Pair TL Heading Sensor, and press the RIGHT Cursor key.
4. On your TargetLock Heading Sensor, press the Pair button.
5. The control head and the TargetLock Heading Sensor will go into Pairing Mode.
If 30 seconds pass while in Pairing Mode and they do not successfully pair, an error message will display signaling that the pairing has timed out. Repeat the procedure.



NOTE: You can check the MEGA Live Device List to confirm that the TargetLock Heading Sensor is paired. Press the MENU key twice to open the Main Menu. Select the Accessories tab > MEGA Live > Device List.

5. Pair the Foot Pedal to the Control Head

Use the following instructions to pair the wireless foot pedal to the Humminbird Control Head.



APEX/SOLIX Series

1. Press the HOME key.
2. Select Settings > CHIRP Sonar > MEGA Live > Pair TargetLock Foot Pedal.
3. On your foot pedal, press and hold the Left button and the Right button at the same time until the LEDs at the top of the pedal begin to scroll. Then release the buttons.
4. The control head and the foot pedal will go into Pairing Mode.

If 30 seconds pass while in Pairing Mode and they do not successfully pair, an error message will display signaling that the pairing has timed out. Repeat the procedure.



NOTE: After pairing completes, if the lights on the foot pedal blink in a scrolling pattern, this indicates that the control head is updating the foot pedal. When the software update is complete, the pairing process will need to be repeated.



NOTE: You can check the MEGA Live Device List to confirm that the foot pedal is paired. Select Home > Settings > CHIRP Sonar > Device List.

HELIX Series

1. **Main Menu:** On your control head, press the MENU key twice.
2. Select the Accessories tab > MEGA Live > MEGA Live Installation.
3. Select Pair TL Foot Pedal, and press the RIGHT Cursor key.
4. On your foot pedal, press and hold the Left button and the Right button at the same time until the LEDs at the top of the pedal begin to scroll. Then release the buttons.
5. The control head and the foot pedal will go into Pairing Mode.

If 30 seconds pass while in Pairing Mode and they do not successfully pair, an error message will display signaling that the pairing has timed out. Repeat the procedure.



NOTE: After pairing completes, if the lights on the foot pedal blink in a scrolling pattern, this indicates that the control head is updating the foot pedal. When the software update is complete, the pairing process will need to be repeated.



NOTE: You can check the MEGA Live Device List to confirm that the foot pedal is paired. Press the MENU key twice to open the Main Menu. Select the Accessories tab > MEGA Live > Device List.

6. Calibrate Your MEGA Live Imaging TargetLock Heading Sensor

Use the following instructions to calibrate your MEGA Live Imaging TargetLock Heading Sensor. Before beginning calibration, your control head must be paired with your TargetLock Heading Sensor and your MEGA Live Imaging transducer must be in the water and connected to your control head.



NOTE: Your transducer will rotate during calibration. Ensure that your transducer cables can move freely before beginning this procedure. Your transducer will return to its original position when calibration is complete.

APEX/SOLIX Series

1. Press the HOME key.
2. Select Settings > CHIRP Sonar > MEGA Live > Calibrate TargetLock Heading Sensor.
3. Your MEGA Live Imaging TargetLock will begin calibration. A message will display on your control head when calibration is complete.

HELIX Series

1. **Main Menu:** On your control head, press the MENU key twice.
2. Select the Accessories tab > MEGA Live > MEGA Live Installation.
3. Select Calibrate TL Heading Sensor, and press the RIGHT cursor key.
4. Your MEGA Live Imaging TargetLock will begin calibration. A message will display on your control head when calibration is complete.

7. Confirm the Humminbird GPS Heading Sensor Operation (Optional)

It is important to confirm that the optional Humminbird GPS Heading Sensor is installed correctly by reviewing the heading digital readout (for Minn Kota Heading Sensor instructions, see your *i-Pilot Link Owner's Manual*).



NOTE: This procedure should be performed at slow speeds, in calm, open water, in a large area that is far from shallow water, boats, or other obstacles.

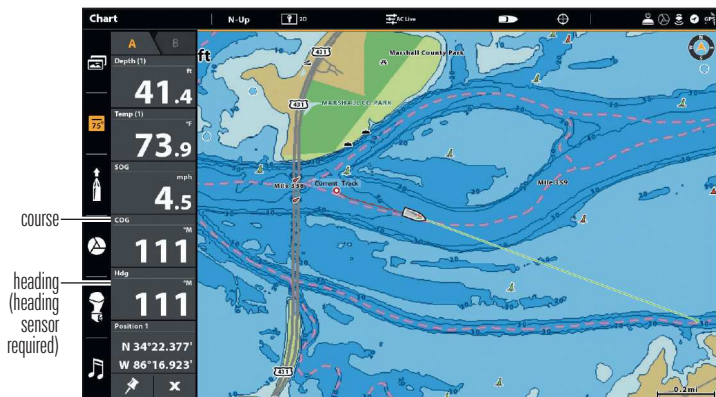
APEX/SOLIX Series

1. Press the HOME key.
2. Select Settings > General > Units > Compass > Magnetic North.
3. With a Chart View displayed on-screen, navigate the boat in a straight line, in calm, open water at 4.5 mph. Compare the Heading digital readout on the screen with the Course (COG) digital readout. The readouts should be within approximately 5° of each other.

Adjust: To adjust the zero point of the GPS Heading Sensor, select Settings > Network NMEA 0183 > Data Offsets. Select Heading Adjustment. Tap the on/off button, or press the ENTER key, to turn it on. Press and hold the slider, or press and hold the ENTER key, to adjust the setting.

If the procedure failed: If the Heading digital readout is significantly different than the COG, the GPS Heading Sensor might be installed in a location with too much magnetic interference. Check the installation location and possible magnetic disturbances in the area.

Confirming the Heading Digital Readout (APEX/SOLIX)



HELIX Series

1. **Main Menu:** Press the MENU key twice.
2. Select the Chart tab > North Reference > Magnetic.
3. Press the EXIT key.
4. Select the Setup tab > Select Readouts (G3N models) or Edit Data Boxes (G4N models).



NOTE: If the Select Readouts or Edit Data Boxes menu option does not appear under the Setup tab, change the User Mode to Custom. Select Main Menu > Setup tab > User Mode > Custom.

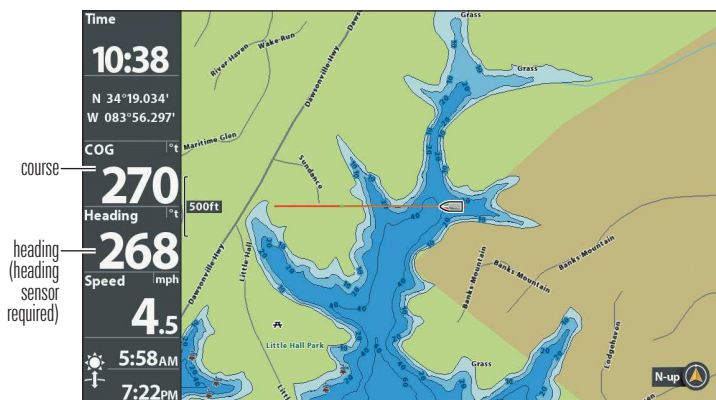
5. Select a Readout position or Data Box position and use the RIGHT or LEFT Cursor keys to select Vessel. Then select Heading. Select another Readout position or Data Box and select Course Over Ground.
6. Press the EXIT key until the Main Menu is closed.
7. Press and hold the VIEW key. Select Chart > Chart View.
8. Navigate the boat in a straight line, in calm, open water at 4.5 mph. Compare the Heading digital readout on the screen with the Course (COG) digital readout. The readouts should be within approximately 5° of each other.

Adjust (G3N): To adjust the zero point of the GPS Heading Sensor, select Main Menu > Navigation tab > Heading Offset. Press the RIGHT or LEFT Cursor keys to adjust the setting.

Adjust (G4N): To adjust the zero point of the GPS Heading Sensor, select Main Menu > Data Sources tab > Data Offsets> Heading Adjustment. Press the RIGHT or LEFT Cursor keys to adjust the setting.

If the procedure failed: If the Heading digital readout is significantly different than the COG, the GPS Heading Sensor might be installed in a location with too much magnetic interference. Check the installation location and possible magnetic disturbances in the area.

Confirming the Heading Digital Readout (HELIX)



8. Confirm the Baud Rate *(for devices connected to the Sensor pigtail only)*

If there is an accessory, such as an autopilot, connected to the Sensor pigtail cable wires, you will need to confirm that the devices are communicating at the same baud rate. The baud rate details are as follows:

- **If the GPS Heading Sensor is connected to the control head, and NMEA Output is turned on**, the control head will operate exclusively at a baud rate of 38400. If there is an accessory attached to the Sensor's pigtail, it also needs to operate at 38400. See your accessory installation guide to set the baud rate to 38400.
- **If NMEA Output is turned off**, then baud rates 4800, 9600, and 38400 are available on the control head and no further action is required.

Turn On/Off NMEA Output

APEX/SOLIX

1. Press the HOME key.
2. Select Settings > Network > NMEA 0183 > NMEA 0183 Output.
3. Tap the on/off button.

HELIX

1. **Main Menu:** Press the MENU key twice.
2. Select the Setup tab (G3N models) or the Data Sources tab (G4N models) > NMEA 0183 Output.
3. Press the RIGHT or LEFT Cursor keys to select On or Off. (Default = Off)



NOTE: The menu option in your Fishing System will be called NMEA 0183 Output or NMEA Output. If the menu option is not shown under the Setup or Data sources tab, make sure the User Mode is set to Custom (Setup tab > User Mode > Custom).

9. Set up the Network

After you have confirmed all connections, the MEGA Live Imaging transducer is ready to use on the water. Proceed to your ***MEGA Live Operations Manual*** to set up the GPS source, temperature source and additional sonar sources.

Power Off



WARNING! When the boat is stored or at dock, the MEGA Live Imaging transducer must be turned off to prevent draining the battery.

Power Off the Control Head

1. **APEX/SOLIX Series:** During operation, tap the top, right corner of the status bar or press the POWER key, and select Power Off.

HELIX Series: Press and hold the POWER key.



CAUTION! Turning off the control head will NOT power off the MEGA Live Imaging transducer.

2. Turn off power on the main switch, breaker, or battery switch.

Powering off the MEGA Live Imaging transducer will be determined by the installation and power connection on your boat.

Travel with the MEGA Live Transducer Installed

The MEGA Live transducer must not hit the deck, base, or any objects. This is critical during transport. Check the tension of the trolling motor bracket after initial use and periodically thereafter to ensure that the installation remains stable.

Maintenance

Your Humminbird fish finder is designed to provide years of trouble free operation with very little maintenance. Use the following procedures to ensure your Humminbird continues to deliver top performance.

Control Head Maintenance

It is important to consider the following precautions when using your Humminbird control head:

- **Chemicals**, such as those found in bug spray and sunscreen, may cause permanent damage to the control head screen. Such damage is not covered by the warranty.
- **NEVER leave the control head in a closed car or trunk.** The high temperatures generated in hot weather can damage the electronics.

Use the following information to keep the control head and screen clean.

- **Screen:** To clean the control head screen, use a mild soap (such as a nonabrasive liquid hand soap) and warm water. Wipe the screen dry with a soft cloth. Be careful to avoid scratching the screen. If water spots remain, use a solution of water and vinegar.



WARNING! Do not use a chemical glass cleaner on the screen. Chemicals in the solution may cause cracking in the lens of the unit.



NOTE: Do not wipe the screen while dirt or grease is on the screen.

- **Control Head:** If the control head comes into contact with salt spray, wipe the affected surfaces with a cloth dampened with fresh water.

Transducer Maintenance

Use the following information to maintain the transducer operation.

- If your boat remains in the water for long periods of time, algae and other marine growth can reduce the effectiveness of the transducer. Periodically clean the face of the transducer with a cloth dampened with fresh water.
- If your boat remains out of the water for a long period of time, it may take some time to wet the transducer when it is returned to the water. Small air bubbles can climb to the surface of the transducer and interfere with proper operation. These bubbles dissipate with time, or you can wipe the face of the transducer with your fingers after the transducer is in the water.

MEGA Live Imaging Maintenance

Use the following information to maintain the installation of the MEGA Live Imaging Transducer.

- Check the stability of the trolling motor mount after initial use and periodically thereafter to ensure that the installation remains stable.
- If your boat will be in long-term storage, remove the MEGA Live Imaging transducer and store it in -40°F to 158°F (-40°C to 70°C), dry conditions.

Troubleshooting

Before contacting Humminbird Technical Support, please read the following section. Taking the time to review these troubleshooting guidelines may allow you to solve a performance problem yourself, and therefore avoid sending your unit back for repair.

“Out of the Water” Error Displays when MEGA Live Is in the Water

Use the following instructions if your fishing system is displaying an “Out of the Water” error message for your MEGA Live Imaging TargetLock when it is in the water.

Remove your MEGA Live Imaging transducer from the water. Place a wet piece of cloth over the two metal contacts on the surface of your transducer. If your transducer still does not work, contact Technical Support. If your transducer works with the rag, perform the following troubleshooting tasks:

1. Confirm that the drain/shield wire is connected to the boat’s chassis ground terminal (see note).
2. Confirm that your MEGA Live is not connected to a trolling motor battery as this can create a problem with grounds. Ensure that your MEGA Live is connected to the starting battery or to the house batteries you use for your other electronics. Ensure that the trolling motor batteries are properly isolated from the rest of the boat’s wiring.
3. If your MEGA Live is now working, there is likely a wiring issue. Check the wiring on the starting and house batteries, if present. If using a house battery system, ensure that it is grounded to the boat’s chassis ground terminal (see note).
4. If you have an aluminum boat, ensure that there are no exposed wires touching the hull of the boat and that the boat’s hull is properly grounded to the boat’s chassis ground terminal (see note).
5. If all these steps have failed, contact Humminbird Technical Support.



NOTE: The boat’s chassis ground terminal is where the boat’s engine is grounded.

Fishing System Doesn't Power Up

If your Fishing System doesn't power up, use the installation guide that is included with your Fishing System to confirm specific details, making sure that:

- the power cable is properly connected to the Fishing System control head,
- the power cable is wired correctly, with red to positive battery terminal and black to negative terminal or ground, and the drain/shield wire to the boat's chassis ground terminal,
- the fuse is operational, and
- the battery voltage of the power connector is at least 12 Volts.

Correct any known problems, including removing corrosion from the battery terminals or wiring, or actually replacing the battery if necessary.

Fishing System Defaults to Simulator with a Transducer Attached

In addition to the MEGA Live Imaging accessory transducer, you will have a standard Humminbird transducer connected to the control head. A connected and functioning transducer with built-in temperature will cause the newly started Fishing System to go into Normal operating mode automatically. If, when you power up the Fishing System, it goes into Simulator mode automatically, even though a transducer is already connected, this means that the control head is not detecting the transducer. Perform the following troubleshooting tasks:

- Check the connections of all transducers that are connected to the control head or Ethernet network. See the transducer installation guide that was included with your Fishing System for connection information.
- Review this MEGA Live Imaging installation guide to confirm that the transducer cable is connected correctly to the Fishing System. Reconnect if necessary, and power on the Fishing System again to see if this fixes the problem.
- Replace the non-functioning transducer with a known good transducer if available and power up the control head again.
- Check the transducer cable. Replace the transducer if the cable is damaged or corroded.

Finding the Cause of Noise

Electrical noise usually affects the display with streaks or repetitive patterns on the view. One or more of the following sources can cause noise or interference:

Possible Source of Noise	Isolation
Other electronic devices	Turn off any nearby electronic devices to see if the problem goes away, then turn them on one at a time to see if the noise re-appears.
Other sonar devices	Turn off any nearby sonar devices to see if the problem goes away, then turn them on one at a time to see if the noise re-appears.
The boat's engine	To determine whether the boat's engine is the source of the noise, increase the RPMs while the boat is in neutral and stationary to see if the noise increases proportionately; if noise appears when you rev the engine, the problem could be the spark plugs, alternator, or tachometer wiring. Replace the spark plugs with resistor plugs, install an alternator filter, or route the control head power and transducer cables away from the engine wiring.

Specifications

Operating Frequency.....	1.05 CHIRP MHz
Power Requirement.....	10 to 20 VDC
Current Draw.....	1.2 A maximum
Operating Temperature.....	32°F to 158°F (0°C to 70°C)
Storage Temperature.....	-40°F to 158°F (-40°C to 70°C)



NOTE: Humminbird verifies maximum stated depth in saltwater conditions, but actual depth performance may vary due to transducer installation, water type, thermal layers, bottom composition and slope.



NOTE: Product specifications and features are subject to change without notice.

ROHS STATEMENT: Product designed and intended as a fixed installation or part of a system in a vessel may be considered beyond the scope of Directive 2002/95/EC of the European Parliament and of the Council of 27 January 2003 on the restriction of the use of certain hazardous substances in electrical and electronic equipment.

ENVIRONMENTAL COMPLIANCE STATEMENT: It is the intention of Johnson Outdoors Marine Electronics, Inc. to be a responsible corporate citizen, operating in compliance with known and applicable environmental regulations, and a good neighbor in the communities where we make or sell our products.

WEEE DIRECTIVE: EU Directive 2002/96/EC “Waste of Electrical and Electronic Equipment Directive (WEEE)” impacts most distributors, sellers, and manufacturers of consumer electronics in the European Union. The WEEE Directive requires the producer of consumer electronics to take responsibility for the management of waste from their products to achieve environmentally responsible disposal during the product life cycle.

WEEE compliance may not be required in your location for electrical & electronic equipment (EEE), nor may it be required for EEE designed and intended as fixed or temporary installation in transportation vehicles such as automobiles, aircraft, and boats. In some European Union member states, these vehicles are considered outside of the scope of the Directive, and EEE for those applications can be considered excluded from the WEEE Directive requirement.



This symbol (WEEE wheelie bin) on product indicates the product must not be disposed of with other household refuse. It must be disposed of and collected for recycling and recovery of waste EEE. Johnson Outdoors Marine Electronics, Inc. will mark all EEE products in accordance with the WEEE Directive. It is our goal to comply in the collection, treatment, recovery, and environmentally sound disposal of those products; however, these requirements do vary within European Union member states. For more information about where you should dispose of your waste equipment for recycling and recovery and/or your European Union member state requirements, please contact your dealer or distributor from which your product was purchased.

Contact Humminbird

Contact Humminbird Technical Support through our Help Center at <https://humminbird-help.johnsonoutdoors.com/hc/en-us> or in writing to the address below:

Humminbird Service Department
678 Humminbird Lane
Eufaula AL 36027 USA

Social Media Resources:



Facebook.com/HumminbirdElectronics



Twitter.com (@humminbirdfish)



Instagram.com/humminbirdfishing



YouTube.com/humminbirdtv

