

TECHNICAL DATASHEET



HYDRAULIC STEERING SYSTEM : OUTBOARD OH-115U

Multisteer Packaged Outboard Hydraulic Steering System is used for Outboard Motors which runs at high speed. The system is curiously designed for High Performance - High Torque applications & is recommended for flat bottom boats, bass boats and tournament fishing boats.

Multisteer offers complete system which includes the Steering Cylinder, Helm Pump, Two Bottle of Steering Fluid, Oil Filling & Collection Kit & a pair of Hydraulic Hoses.



APPLICATION

Packaged Hydraulic Steering System for Engines up to 115 Hp for Single Engine & max. 230 Hp for Twin Engines



Single Cylinder - Single Engine Order information

LIST OF COMPONENTS	ENGINE UP TO 115 HP	UNIT
Steering Kit	OH-115U	1 No.
Cylinder	OC-115U	1 No.
Helm	HP-16F	1 No.
Hose Kit	CT-5.0	2 Nos.
Steering Fluid	HO-150	2 Liter
Steering Wheel Revolution	5.3	Lock to Lock



TECHNICAL SPECIFICATIONS : OH-115U

HELM HP-16F

Model No.	Volume cc	Volume ci	Port Threads (UNEF)	Relief/Design* Pressure in Bar	Recommended Steering Wheel Diameter	Weight in Kg
HP-16F	16	0.9	9/16-24	50	280 mm	2.3

CYLINDER OC-115U

Model No.	Volume cc	Volume ci	Port Threads (UNEF)	Force (Kgf)	Stroke (mm)	Air Bleeder Fittings	Weight (Kg)
OC-115U	85	5.1	9/16-24	330	185	Ab1	3.04

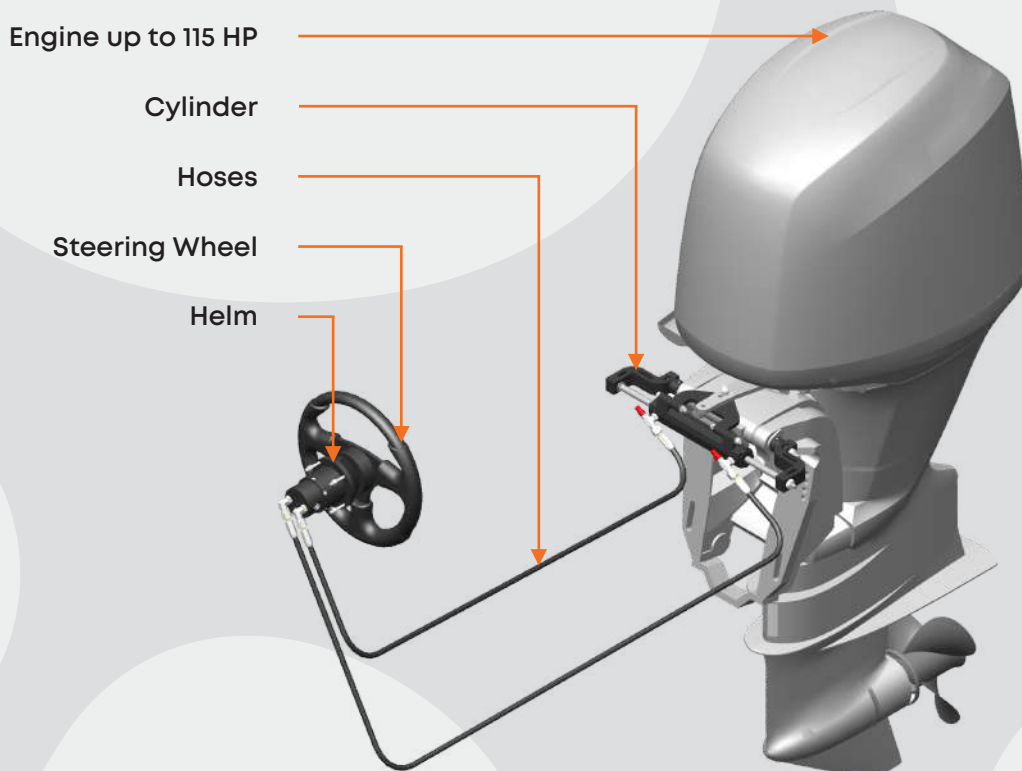
STEERING FLUID HO-150

Model No.	Viscosity at 40°	Viscosity Index	Pour Point	Flash Point
HO-150	15.5 cSt	>150	-40 Degrees	>188 Degrees

HYDRAULIC HOSES CT-5.0

Model No.	Description	End Connector
5.0	5 Meters (16.4 Feet)	HC-C1

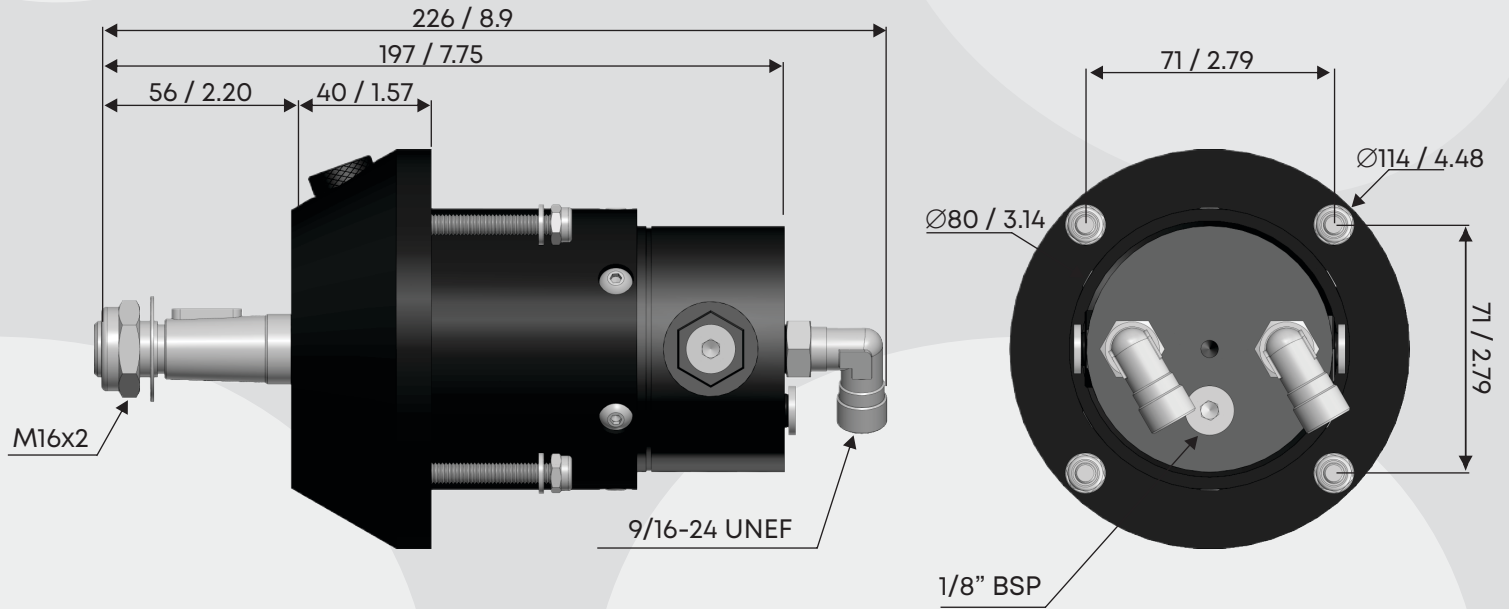
ASSEMBLY DIAGRAM



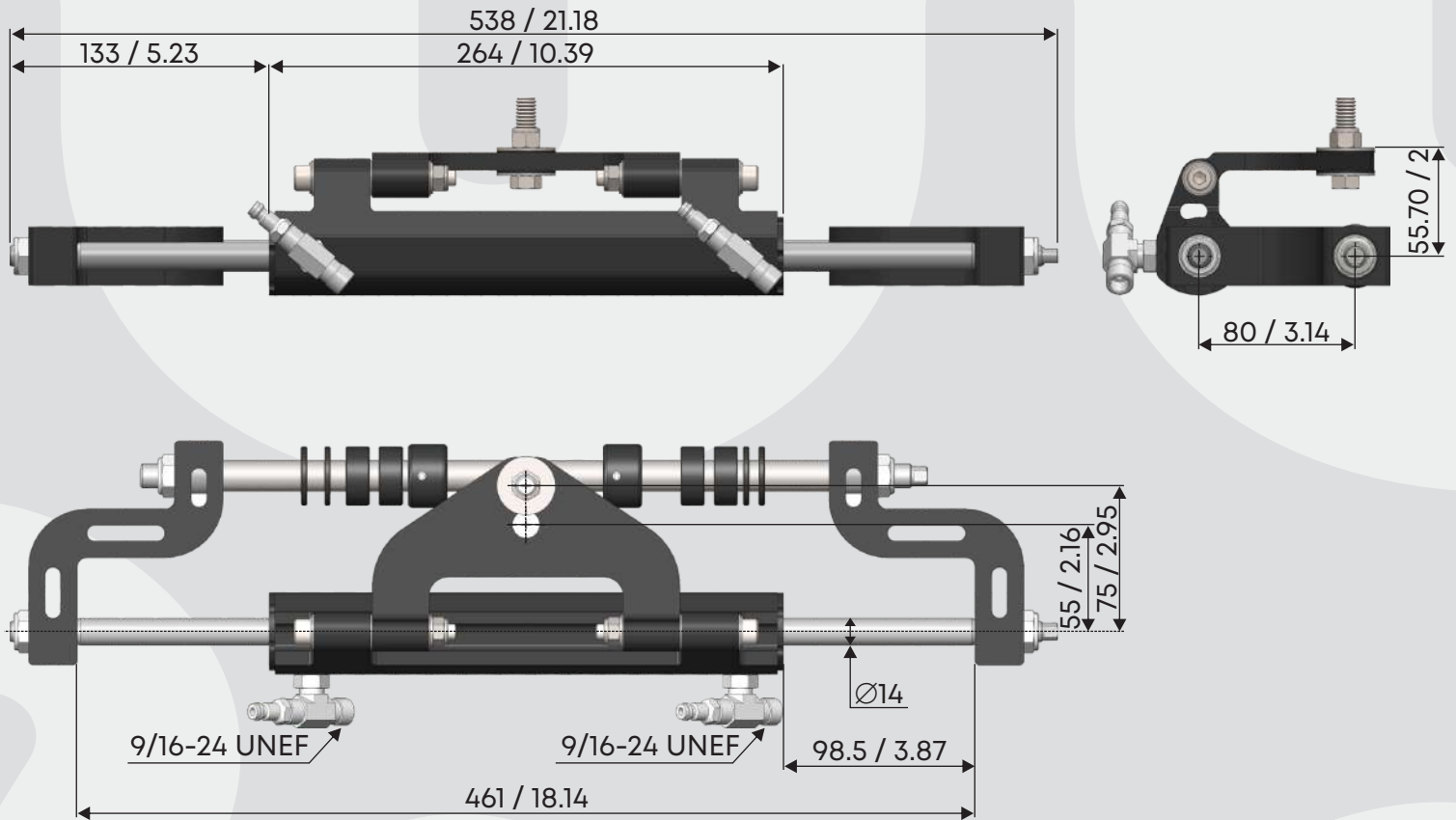


PRODUCT DIMENSIONS :

HYDRAULIC HELM PUMP : HP-16F



HYDRAULIC CYLINDER : OC-115U



All Dimensions are in mm / Inch